



Main

Range of product	Advantys Telefast ABE7
Product or component type	Connection sub-base for counter and analogue channels
Number of channels	8
Connections - terminals	<p>Screw type terminals, clamping capacity: 2 x 0.2...2 x 2.5 mm² AWG 24...14 solid</p> <p>Screw type terminals, clamping capacity: 2 x 0.09...2 x 0.75 mm² AWG 28...20 flexible with cable end</p> <p>Screw type terminals, clamping capacity: 1 x 0.14...1 x 2.5 mm² AWG 26...14 flexible without cable end</p> <p>Screw type terminals, clamping capacity: 1 x 0.14...1 x 2.5 mm² AWG 26...12 solid</p> <p>Screw type terminals, clamping capacity: 1 x 0.09...1 x 1.5 mm² AWG 28...16 flexible with cable end</p>

Complementary

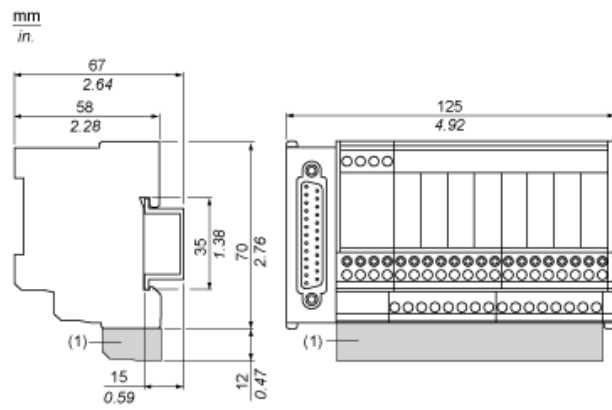
Function of module	<p>Pt 100 , compatible with Premium</p> <p>Analogue input voltage , compatible with Premium</p> <p>Analogue input current , compatible with Premium</p>
Product compatibility	<p>TSXASY810 compatible with Premium</p> <p>TSXASY800 compatible with Premium</p> <p>TSXAEY800 compatible with Premium</p> <p>TSXAEY1600 compatible with Premium</p>
Connection to PLC	SUB-D 25
Fixing mode	<p>By screws on solid plate with fixing kit</p> <p>By clips on 35 mm symmetrical DIN rail</p>
[Ui] rated insulation voltage	2000 V between terminals/mounting rails
Installation category	II conforming to IEC 60664-1
Tightening torque	0.6 N.m (with flat Ø 3.5 mm)
Product weight	0.29 kg

Environment

Product certifications	<p>BV</p> <p>CSA</p> <p>DNV</p> <p>GL</p> <p>LROS (Lloyds register of shipping)</p> <p>UL</p>
IP degree of protection	IP20 conforming to IEC 60529
Protective treatment	TC
Resistance to incandescent wire	750 °C, extinction time: < 30 s conforming to IEC 60695-2-11
Shock resistance	15 gn for 11 ms conforming to IEC 60068-2-27
Vibration resistance	2 gn (f = 10...150 Hz) conforming to IEC 60068-2-6
Resistance to electrostatic discharge	<p>8 kV (air) conforming to IEC 61000-4-2 level 3</p> <p>4 kV (contact) conforming to IEC 61000-4-2 level 3</p>
Resistance to radiated fields	10 V/m (26000000...100000000 Hz) conforming to IEC 61000-4-3 level 3
Resistance to fast transients	2 kV conforming to IEC 61000-4-4 level 3
Ambient air temperature for operation	0...60 °C conforming to IEC 61131-2
Ambient air temperature for storage	-40...80 °C conforming to IEC 61131-2
Pollution degree	2 conforming to IEC 60664-1

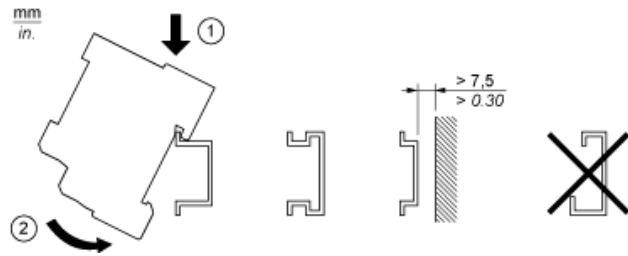
The information provided in this documentation contains general descriptions and/or technical characteristics of the performance of the products contained herein. This documentation is not intended as a substitute for and is not to be used for determining suitability or reliability of these products for specific user applications. It is the duty of any such user or integrator to perform the appropriate and complete risk analysis, evaluation and testing of the products with respect to the relevant specific application or use thereof. Neither Schneider Electric Industries SAS nor any of its affiliates or subsidiaries shall be responsible or liable for misuse of the information contained herein.

Dimensions

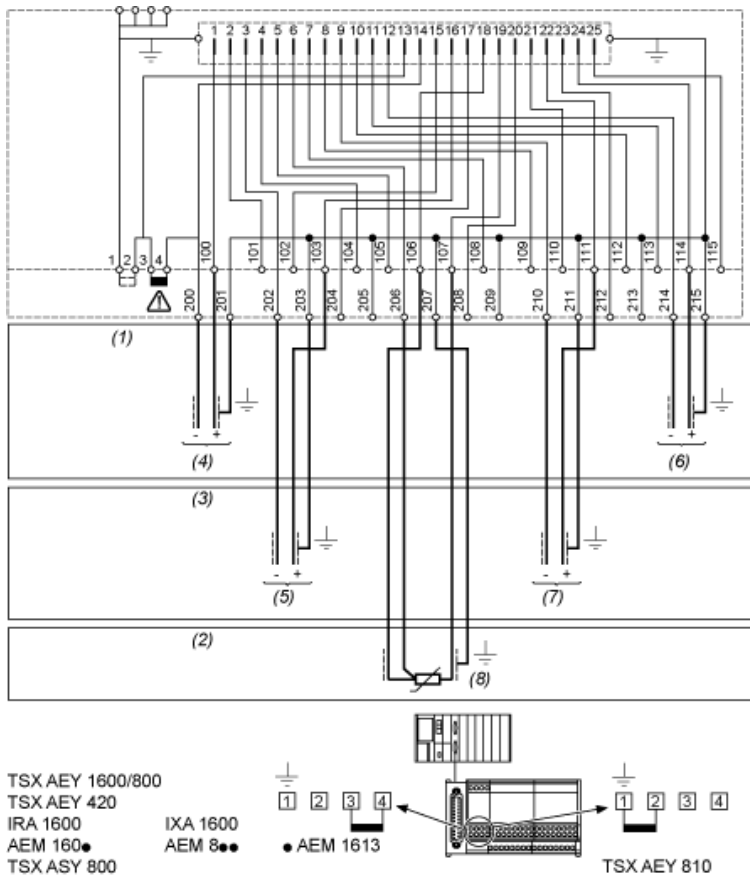


(1) ABE7BV20 / ABE7BV20E

Mounting



Wiring Diagram



- (1) 8 input voltage - 8 output voltage
- (2) 8 input probe PT100
- (3) 8 input current - 8 output current
- (4) Channel via 1
- (5) Channel via 2
- (6) Channel via 8
- (7) Channel via 6
- (8) Channel via 4