

SIRIUS SAFETY RELAY OUTPUT EXTENSION 3RO POWER, WITH RELAY ENABLING CIRCUITS 3 NO CONTACTS + RELAY FEEDBACK CIRCUIT 1 NC CONTACT US = 230 V AC SPRING-LOADED CONNECTION



Figure similar

General technical data:	
product brand name	SIRIUS
Product designation	Output expansions
Design of the product	Expansion unit
Protection class IP of the enclosure	IP20
Protection against electrical shock	finger-safe
Insulation voltage rated value	300 V
Ambient temperature	
• during storage	-40 ... +80 °C
• during operation	-25 ... +60 °C
Air pressure acc. to SN 31205	90 kPa ... 106 kPa
Relative humidity during operation	10 ... 95 %
Installation altitude at height above sea level maximum	2 000 m
Vibration resistance acc. to IEC 60068-2-6	5 ... 500 Hz: 0,75 mm
Shock resistance	5 g / 10 ms
Surge voltage resistance rated value	4 000 V
EMC emitted interference	IEC 60947-5-1, IEC 61000

Installation environment regarding EMC	This product is suitable for Class B environments and can also be used in domestic environments.
Overvoltage category	3
Degree of pollution	3
Equipment marking acc. to DIN EN 61346-2	F
Safety Integrity Level (SIL) acc. to IEC 61508	SIL3
Performance level (PL) acc. to EN ISO 13849-1	e
Category acc. to EN ISO 13849-1	4
PFHD with high demand rate acc. to EN 62061	0.000000001 1/h
PFDAvg with low demand rate acc. to IEC 61508	0.000001
T1 value for proof test interval or service life acc. to IEC 61508	20 y
Hardware fault tolerance acc. to IEC 61508	1
Safety device type acc. to IEC 61508-2	Type A
<ul style="list-style-type: none"> • Number of outputs <ul style="list-style-type: none"> — as contact-affected switching element as NC contact for signaling function delayed switching — as contact-based switch block as NC contact for feedback circuit instantaneous switching — as contact-affected switching element as NC contact safety-related instantaneous contact — as contact-affected switching element as NC contact safety-related delayed switching • Number of outputs as contact-affected switching element as NO contact <ul style="list-style-type: none"> — for signaling function instantaneous contact — for signaling function delayed switching — safety-related instantaneous contact — safety-related delayed switching 	 0 1 0 0 0 0 0 3 0
Stop category acc. to DIN EN 60204-1	0

General technical data:

Type of electrical connection Plug-in socket	No
Operating frequency maximum	360 1/h
Switching capacity current of the NO contacts of the relay outputs	
<ul style="list-style-type: none"> • at DC-13 <ul style="list-style-type: none"> — at 24 V — at 115 V — at 230 V • at AC-15 	 6 A 1.1 A 0.55 A

— at 24 V	10 A
— at 115 V	10 A
— at 230 V	10 A
Thermal current of the switching element with contacts maximum	10 A
Operating current at 17 V minimum	5 mA
Mechanical service life (switching cycles) typical	10 000 000
maximum permissible voltage for safe isolation between electronic evaluation device and enabling circuit acc. to EN 60947-1	300 V
Design of the fuse link for short-circuit protection of the NO contacts of the relay outputs required	gL/gG: 16 A or MCB type A: 6 A or MCB type B: 4 A or MCB type C: 4 A
Make time with automatic start	
• typical	10 ms
• at AC maximum	15 ms
Make time with automatic start after power failure	
• typical	10 ms
• maximum	15 ms
Backslide delay time in the event of power failure	
• typical	15 ms
• maximum	15 ms
Recovery time after power failure typical	0 s

Control circuit/ Control:

Type of voltage of the control supply voltage	AC
Control supply voltage frequency	
• 1 rated value	50 Hz
• 2 rated value	60 Hz
Control supply voltage	
• at AC	
— at 50 Hz	
— rated value	230 V
— at 60 Hz	
— rated value	230 V
Operating range factor control supply voltage rated value of magnet coil	
• at AC	
— at 50 Hz	0.85 ... 1.1
— at 60 Hz	0.85 ... 1.1
Power loss [W] typical	3.5 W

Installation/ mounting/ dimensions:

Mounting position	on horizontal standard mounting rail
Required spacing for grounded parts at the side	5 mm

Required spacing with side-by-side mounting at the side	0 mm
Mounting type	screw and snap-on mounting
Width	90 mm
Height	100 mm
Depth	121.6 mm

Connections/Terminals:

Type of electrical connection	Push-in terminal
Type of connectable conductor cross-sections	
<ul style="list-style-type: none"> • solid 	1x (0.5 ... 1.5 mm ²), 2x (0.5 ... 1.5 mm ²)
<ul style="list-style-type: none"> • finely stranded <ul style="list-style-type: none"> — with core end processing — without core end processing 	1x (0.5 ... 1.5 mm ²), 2x (0.5 ... 1.5 mm ²) 1x (0.5 ... 1.5 mm ²), 2x (0.5 ... 1.5 mm ²)
Type of connectable conductor cross-sections at AWG conductors	
<ul style="list-style-type: none"> • solid 	1x (20 ... 16), 2x (20 ... 16)
<ul style="list-style-type: none"> • stranded 	1x (20 ... 16), 2x (20 ... 16)

Product Function:

Suitability for operation Device connector 3ZY12	No
Suitability for use	
<ul style="list-style-type: none"> • safety-related circuits 	Yes

Certificates/approvals

Certificate of suitability	
<ul style="list-style-type: none"> • TÜV (German technical inspectorate) certificate 	Yes
<ul style="list-style-type: none"> • UL approval 	Yes

General Product Approval	EMC	Functional Safety/Safety of Machinery
--------------------------	-----	---------------------------------------



[Baumusterbescheinigung](#)

Declaration of Conformity	Test Certificates	Shipping Approval	other
---------------------------	-------------------	-------------------	-------



[Typprüfbescheinigung/Werkszeugnis](#)



[Bestätigungen](#)

Railway

[Bestätigungen](#)

Further information

Information- and Downloadcenter (Catalogs, Brochures,...)

<http://www.siemens.com/industrial-controls/catalogs>

Industry Mall (Online ordering system)

<https://mall.industry.siemens.com/mall/en/en/Catalog/product?mlfb=3SK1213-2AL20>

Cax online generator

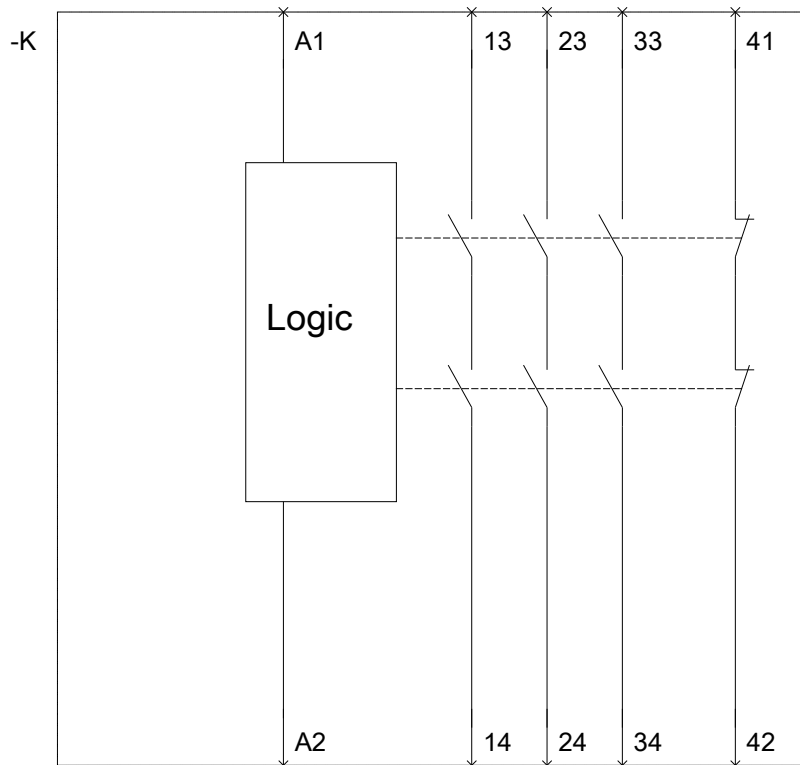
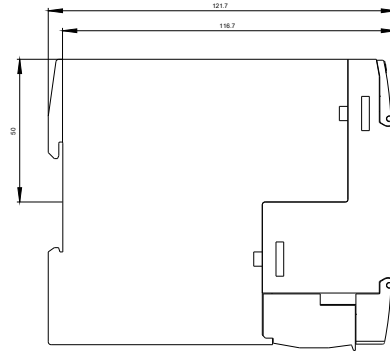
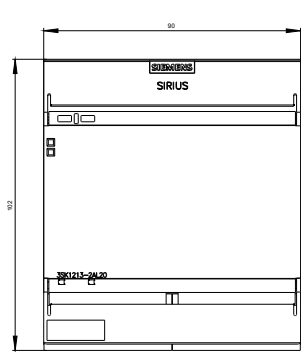
<http://support.automation.siemens.com/WW/CAXorder/default.aspx?lang=en&mlfb=3SK1213-2AL20>

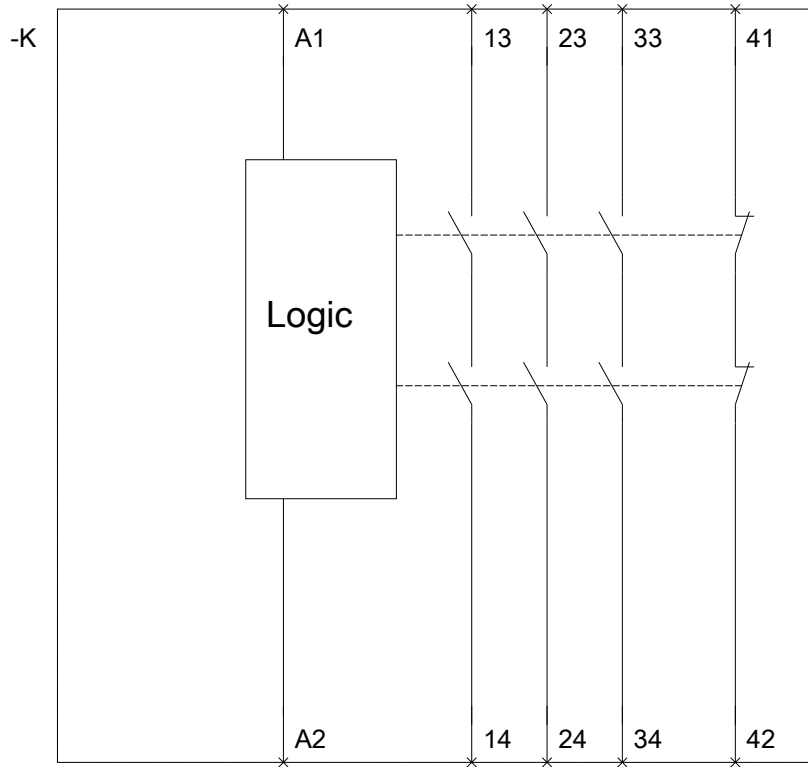
Service&Support (Manuals, Certificates, Characteristics, FAQs,...)

<https://support.industry.siemens.com/cs/ww/en/ps/3SK1213-2AL20>

Image database (product images, 2D dimension drawings, 3D models, device circuit diagrams, EPLAN macros, ...)

http://www.automation.siemens.com/bilddb/cax_de.aspx?mlfb=3SK1213-2AL20&lang=en





last modified:

10/17/2016