

SIRIUS SAFETY RELAY STANDARD SERIES DEVICE
ELECTRONIC OUTPUTS 2 ENABLING CIRCUITS + 1 SIGNALING
CIRCUIT US = 24 V DC SCREW TERMINAL



Figure similar

General technical data:	
product brand name	SIRIUS
Product designation	Standard basic units
Design of the product	For autonomous safety applications
Protection class IP of the enclosure	IP20
Protection against electrical shock	finger-safe
Insulation voltage rated value	50 V
Ambient temperature	
• during storage	-40 ... +80 °C
• during operation	-25 ... +60 °C
Air pressure acc. to SN 31205	90 kPa ... 106 kPa
Relative humidity during operation	10 ... 95 %
Installation altitude at height above sea level maximum	2 000 m
Vibration resistance acc. to IEC 60068-2-6	5 ... 500 Hz: 0,75 mm
Shock resistance	10g / 11 ms
Surge voltage resistance rated value	500 V
EMC emitted interference	IEC 60947-5-1, Class A

Installation environment regarding EMC	This product is suitable for Class A environments only. It can cause undesired radio-frequency interference in residential environments. If this is the case, the user must take appropriate measures.
Overvoltage category	3
Degree of pollution	3
Number of sensor inputs 1-channel or 2-channel	1
Design of the cascading	yes
Type of the safety-related wiring of the inputs	single-channel and two-channel
Product feature cross-circuit-proof	Yes
Safety Integrity Level (SIL)	
• acc. to IEC 61508	SIL3
Performance level (PL)	
• acc. to EN ISO 13849-1	e
Category acc. to EN ISO 13849-1	4
Safe failure fraction (SFF)	99 %
PFHD with high demand rate acc. to EN 62061	0.000000001 1/h
PFDAvg with low demand rate acc. to IEC 61508	0.000007
T1 value for proof test interval or service life acc. to IEC 61508	20 y
Hardware fault tolerance acc. to IEC 61508	1
Safety device type acc. to IEC 61508-2	Type B
Number of outputs as contact-affected switching element	
• as NC contact	
— for signaling function instantaneous contact	0
— for signaling function delayed switching	0
— safety-related instantaneous contact	0
— safety-related delayed switching	0
• as NO contact	
— for signaling function instantaneous contact	0
— for signaling function delayed switching	0
— safety-related instantaneous contact	0
— safety-related delayed switching	0
Number of outputs as contact-less semiconductor switching element	
• safety-related	
— delayed switching	0
— instantaneous contact	2
• for signaling function instantaneous contact	1
Stop category acc. to DIN EN 60204-1	0

General technical data:

Design of input	
<ul style="list-style-type: none"> • cascading input/functional switching • feedback input • Start input 	<p>Yes</p> <p>Yes</p> <p>Yes</p>
Type of electrical connection Plug-in socket	No
Operating frequency maximum	2 000 1/h
Switching capacity current	
<ul style="list-style-type: none"> • of semiconductor outputs at DC-13 at 24 V 	2 A
Design of the fuse link for short-circuit protection of the NO contacts of the relay outputs required	not required
Wire length	
<ul style="list-style-type: none"> • with Cu 1.5 mm² and 150 nF/km per sensor circuit maximum 	4 000 m
Make time with automatic start	
<ul style="list-style-type: none"> • at DC maximum 	85 ms
Make time with automatic start after power failure	
<ul style="list-style-type: none"> • typical • maximum 	<p>6 500 ms</p> <p>6 500 ms</p>
Make time with monitored start	
<ul style="list-style-type: none"> • maximum 	85 ms
Backslide delay time after opening of the safety circuits typical	40 ms
Backslide delay time in the event of power failure	
<ul style="list-style-type: none"> • typical • maximum 	<p>0 ms</p> <p>0 ms</p>
Recovery time after opening of the safety circuits typical	30 ms
Recovery time after power failure typical	6.5 s
Pulse duration	
<ul style="list-style-type: none"> • of the sensor input minimum • of the ON pushbutton input minimum 	<p>60 ms</p> <p>0.15 s</p>

Control circuit/ Control:

Type of voltage of the control supply voltage	DC
Control supply voltage	
<ul style="list-style-type: none"> • at DC — rated value 	24 V
Operating range factor control supply voltage rated value of magnet coil	
<ul style="list-style-type: none"> • at DC 	0.8 ... 1.2
Power loss [W] typical	2 W

Installation/ mounting/ dimensions:

Mounting position	any
Required spacing for grounded parts at the side	5 mm
Required spacing with side-by-side mounting at the side	0 mm
Mounting type	screw and snap-on mounting
Width	22.5 mm
Height	100 mm
Depth	91.6 mm

Connections/ Terminals:

Type of electrical connection	screw-type terminals
Type of connectable conductor cross-sections	
<ul style="list-style-type: none"> • solid 	1x (0.5 ... 2.5 mm ²), 2x (1.0 ... 1.5 mm ²)
<ul style="list-style-type: none"> • finely stranded <li style="padding-left: 20px;">— with core end processing 	1x (0.5 ... 2.5 mm ²), 2x (0.5 ... 1.0 mm ²)
Type of connectable conductor cross-sections at AWG conductors	
<ul style="list-style-type: none"> • solid 	1x (20 ... 14), 2x (18 ... 16)
<ul style="list-style-type: none"> • stranded 	1x (20 ... 16), 2x (20 ... 16)

Product Function:

Product function parameterizable	Sensor floating / sensor non-floating, monitored start / autostart, 1-channel / 2-channel sensor connection, cross-circuit detection, startup testing
Suitability for operation Device connector 3ZY12	No
Suitability for interaction press control	No
Suitability for use	
<ul style="list-style-type: none"> • safety switch 	Yes
<ul style="list-style-type: none"> • Monitoring of floating sensors 	Yes
<ul style="list-style-type: none"> • Monitoring of non-floating sensors 	Yes
<ul style="list-style-type: none"> • magnetically operated switch monitoring 	Yes
<ul style="list-style-type: none"> • safety-related circuits 	Yes

Certificates/approvals

General Product Approval	EMC	Functional Safety/Safety of Machinery
--------------------------	-----	---------------------------------------



CCC



CSA



UL



C-Tick

[Baumusterbescheinigung](#)

Declaration of Conformity	Test Certificates	Shipping Approval	other	Railway
---------------------------	-------------------	-------------------	-------	---------



EG-Konf.

[Typprüfbescheinigung/Werkszeugnis](#)



LRS



RMRS

[Bestätigungen](#)

[Bestätigungen](#)

Further information

Information- and Downloadcenter (Catalogs, Brochures,...)

<http://www.siemens.com/industrial-controls/catalogs>

Industry Mall (Online ordering system)

<https://mall.industry.siemens.com/mall/en/en/Catalog/product?mlfb=3SK1112-1BB40>

Cax online generator

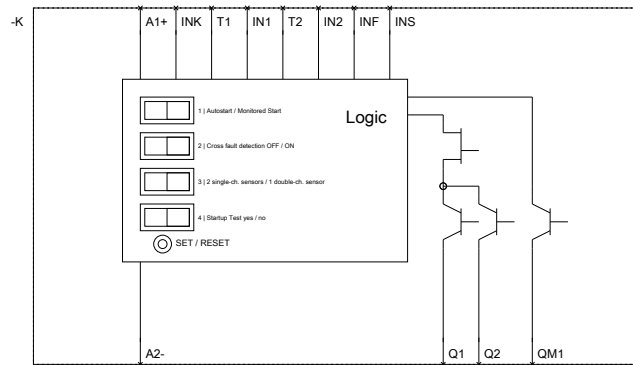
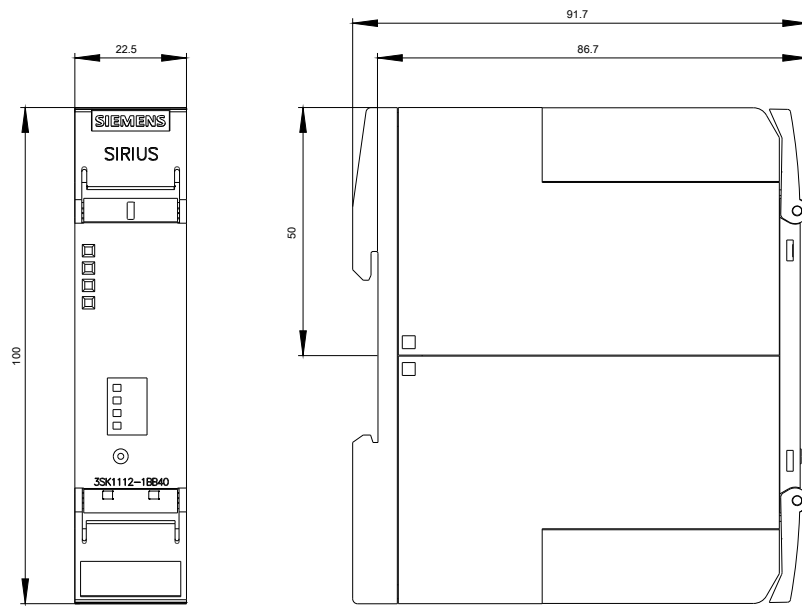
<http://support.automation.siemens.com/WW/CAXorder/default.aspx?lang=en&mlfb=3SK1112-1BB40>

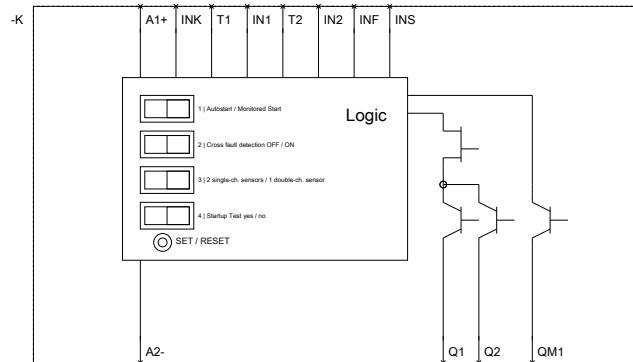
Service&Support (Manuals, Certificates, Characteristics, FAQs,...)

<https://support.industry.siemens.com/cs/ww/en/ps/3SK1112-1BB40>

Image database (product images, 2D dimension drawings, 3D models, device circuit diagrams, EPLAN macros, ...)

http://www.automation.siemens.com/bilddb/cax_de.aspx?mlfb=3SK1112-1BB40&lang=en





last modified:

10/17/2016