

SIRIUS SAFETY RELAY STANDARD SERIES DEVICE RELAY
 ENABLING CIRCUITS 3 NO CONTACTS + RELAY SIGNALING
 CIRCUIT 1 NC CONTACT US = 110 - 240 V DC/AC 50/60 HZ
 SCREW TERMINAL



Figure similar

General technical data:	
product brand name	SIRIUS
Product designation	Standard basic units
Design of the product	For autonomous safety applications
Protection class IP of the enclosure	IP20
Protection against electrical shock	finger-safe
Insulation voltage rated value	300 V
Ambient temperature	
• during storage	-40 ... +80 °C
• during operation	-25 ... +60 °C
Air pressure acc. to SN 31205	90 kPa ... 106 kPa
Relative humidity during operation	10 ... 95 %
Installation altitude at height above sea level maximum	2 000 m
Vibration resistance acc. to IEC 60068-2-6	5 ... 500 Hz: 0,75 mm
Shock resistance	10g / 11 ms
Surge voltage resistance rated value	4 000 V
EMC emitted interference	IEC 60947-5-1, Class A

Installation environment regarding EMC	This product is suitable for Class A environments only. It can cause undesired radio-frequency interference in residential environments. If this is the case, the user must take appropriate measures.
Overvoltage category	3
Degree of pollution	3
Number of sensor inputs 1-channel or 2-channel	1
Design of the cascading	none
Type of the safety-related wiring of the inputs	single-channel and two-channel
Product feature cross-circuit-proof	Yes
Safety Integrity Level (SIL)	
• acc. to IEC 61508	SIL3
Performance level (PL)	
• acc. to EN ISO 13849-1	e
Category acc. to EN ISO 13849-1	4
Safe failure fraction (SFF)	99 %
PFHD with high demand rate acc. to EN 62061	0.0000000015 1/h
PFDAvg with low demand rate acc. to IEC 61508	0.000001
T1 value for proof test interval or service life acc. to IEC 61508	20 y
Hardware fault tolerance acc. to IEC 61508	1
Safety device type acc. to IEC 61508-2	Type A
Number of outputs as contact-affected switching element	
• as NC contact	
— for signaling function instantaneous contact	1
— for signaling function delayed switching	0
— safety-related instantaneous contact	0
— safety-related delayed switching	0
• as NO contact	
— for signaling function instantaneous contact	0
— for signaling function delayed switching	0
— safety-related instantaneous contact	3
— safety-related delayed switching	0
Number of outputs as contact-less semiconductor switching element	
• safety-related	
— delayed switching	0
— instantaneous contact	0
• for signaling function instantaneous contact	0
Stop category acc. to DIN EN 60204-1	0

General technical data:

Design of input	
<ul style="list-style-type: none"> • cascading input/functional switching • feedback input • Start input 	<p>No</p> <p>Yes</p> <p>Yes</p>
Type of electrical connection Plug-in socket	No
Operating frequency maximum	360 1/h
Switching capacity current	
<ul style="list-style-type: none"> • of the NO contacts of the relay outputs <ul style="list-style-type: none"> — at DC-13 — at 24 V — at 115 V — at 230 V — at AC-15 <ul style="list-style-type: none"> — at 115 V — at 230 V • of the NC contacts of the relay outputs <ul style="list-style-type: none"> — at DC-13 — at 24 V — at 115 V — at 230 V — at AC-15 <ul style="list-style-type: none"> — at 115 V — at 230 V 	<p>5 A</p> <p>0.2 A</p> <p>0.1 A</p> <p>5 A</p> <p>5 A</p> <p>1 A</p> <p>0.2 A</p> <p>0.1 A</p> <p>1.5 A</p> <p>1.5 A</p>
Thermal current of the switching element with contacts maximum	5 A
Operating current at 17 V minimum	5 mA
Mechanical service life (switching cycles) typical	10 000 000
Design of the fuse link for short-circuit protection of the NO contacts of the relay outputs required	gL/gG: 6A or circuit breaker type A: 3A or circuit breaker type B: 2A or circuit breaker type C: 1A
Design of the fuse link for short circuit protection of the NC contacts of the relay outputs required	Diazed or Neozed fuses, operating class gL/gG: 6 A or MCB type A: 2 A or MCB type B: 2 A or MCB type C: 1 A
Wire length	
<ul style="list-style-type: none"> • for total of all sensor circuits with Cu 1.5 mm² and 150 nF/km maximum 	2 000 m
Make time with automatic start	
<ul style="list-style-type: none"> • typical • at DC maximum • at AC maximum 	<p>110 ms</p> <p>130 ms</p> <p>130 ms</p>
Make time with automatic start after power failure	
<ul style="list-style-type: none"> • typical • maximum 	<p>110 ms</p> <p>130 ms</p>

Make time with monitored start	
• maximum	15 ms
• typical	15 ms
Backslide delay time after opening of the safety circuits typical	10 ms
Backslide delay time in the event of power failure	
• typical	200 ms
• maximum	300 ms
Recovery time after opening of the safety circuits typical	10 ms
Recovery time after power failure typical	0.32 s
Pulse duration	
• of the sensor input minimum	150 ms
• of the ON pushbutton input minimum	0.015 s

Control circuit/ Control:

Type of voltage of the control supply voltage	AC/DC
Control supply voltage frequency	
• 1 rated value	50 Hz
• 2 rated value	60 Hz
Control supply voltage	
• at DC	
— rated value	110 ... 240 V
• at AC	
— at 50 Hz	
— rated value	110 ... 240 V
— at 60 Hz	
— rated value	110 ... 240 V
Operating range factor control supply voltage rated value of magnet coil	
• at AC	
— at 50 Hz	0.85 ... 1.1
— at 60 Hz	0.85 ... 1.1
• at DC	0.85 ... 1.1
Power loss [W] typical	2.5 W

Installation/ mounting/ dimensions:

Mounting position	any
Required spacing for grounded parts at the side	5 mm
Required spacing with side-by-side mounting at the side	0 mm
Mounting type	screw and snap-on mounting
Width	22.5 mm
Height	100 mm

Depth	121.6 mm
-------	----------









Connections/ Terminals:

Type of electrical connection	screw-type terminals
Type of connectable conductor cross-sections	1x (0.5 ... 2.5 mm ²), 2x (1.0 ... 1.5 mm ²)
<ul style="list-style-type: none"> • solid • finely stranded — with core end processing 	1x (0.5 ... 2.5 mm ²), 2x (0.5 ... 1.0 mm ²)
Type of connectable conductor cross-sections at AWG conductors	1x (20 ... 14), 2x (18 ... 16)
<ul style="list-style-type: none"> • solid • stranded 	1x (20 ... 16), 2x (20 ... 16)

Product Function:

Product function parameterizable	Sensor floating / monitored start / automatic start
Suitability for operation Device connector 3ZY12	No
Suitability for interaction press control	No
Suitability for use	
<ul style="list-style-type: none"> • safety switch • Monitoring of floating sensors • Monitoring of non-floating sensors • magnetically operated switch monitoring • safety-related circuits 	<p>Yes</p> <p>Yes</p> <p>No</p> <p>No</p> <p>Yes</p>

Certificates/approvals

General Product Approval		EMC	Functional Safety/Safety of Machinery	
				
CCC	CSA	UL		
			Baumusterbescheinigung	
Declaration of Conformity	Test Certificates	Shipping Approval	other	Railway
	Typrüfbescheinigung/Werkszeugnis			Bestätigungen
EG-Konf.		LRS	RMRS	Bestätigungen

Further information

Information- and Downloadcenter (Catalogs, Brochures,...)

<http://www.siemens.com/industrial-controls/catalogs>

Industry Mall (Online ordering system)

<https://mall.industry.siemens.com/mall/en/en/Catalog/product?mlfb=3SK1111-1AW20>

Cax online generator

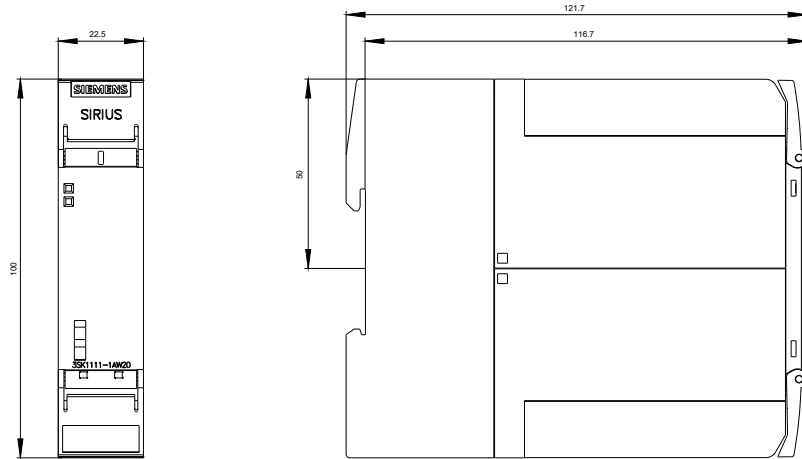
<http://support.automation.siemens.com/WW/CAXorder/default.aspx?lang=en&mlfb=3SK1111-1AW20>

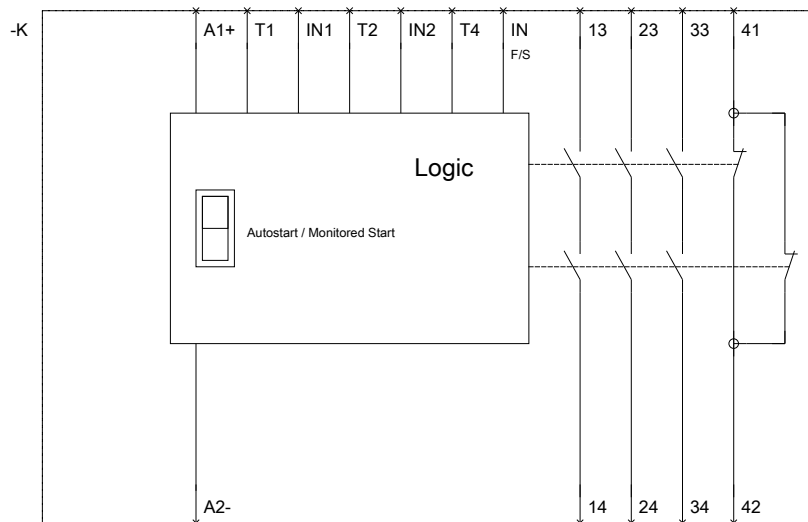
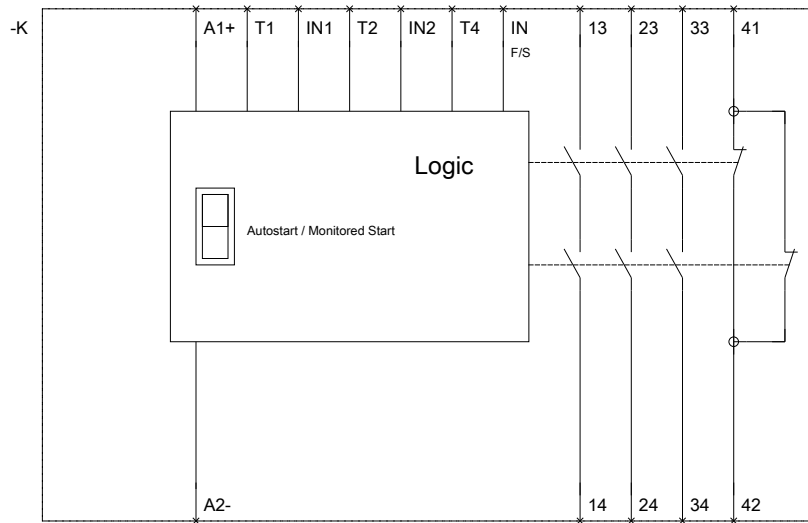
Service&Support (Manuals, Certificates, Characteristics, FAQs,...)

<https://support.industry.siemens.com/cs/ww/en/ps/3SK1111-1AW20>

Image database (product images, 2D dimension drawings, 3D models, device circuit diagrams, EPLAN macros, ...)

http://www.automation.siemens.com/bilddb/cax_de.aspx?mlfb=3SK1111-1AW20&lang=en





last modified:

10/17/2016