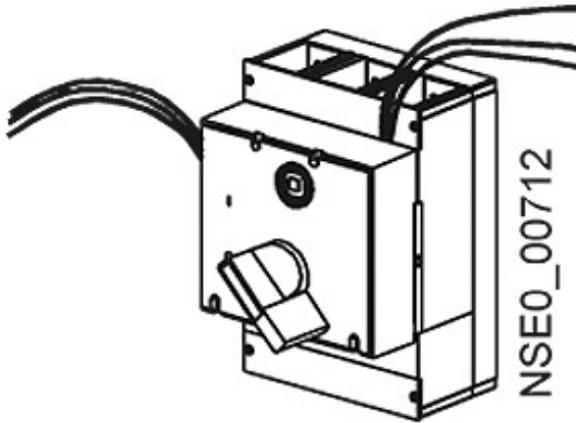


ACCESSORY FOR VL160X, VL160, VL250, KIT F. LEADING  
AUXILIARY SWITCHES 2 CO CONTACTS, FROM OFF TO ON 1.5  
METER CONNECTING CABLE



**Model**

product brandname SENTRON

**Accessories**

accessories Accessories for...VL160, VL250

General Product Approval	EMC	Test Certificates	Shipping Approval
--------------------------	-----	-------------------	-------------------

[sonstig](#)



UL



C-Tick

[spezielle Prüfbescheinigung](#)

[n](#)



BUREAU VERITAS

Shipping Approval	other
-------------------	-------



PRS



RINA



RMRS

[sonstig](#)

[Bestätigungen](#)

[Umweltbestätigung](#)

**Further information**

**Information- and Downloadcenter (Catalogs, Brochures,...)**

<http://www.siemens.com/lowvoltage/catalogs>

**Industry Mall (Online ordering system)**

<https://eb.automation.siemens.com/mall/en/WW/Catalog/Product/3VL9300-3AT10>

**Service&Support (Manuals, Certificates, Characteristics, FAQs,...)**

<http://support.automation.siemens.com/WW/view/en/3VL9300-3AT10/all>

**Image database (product images, 2D dimension drawings, 3D models, device circuit diagrams, ...)**

[http://www.automation.siemens.com/bilddb/cax\\_en.aspx?mfb=3VL9300-3AT10](http://www.automation.siemens.com/bilddb/cax_en.aspx?mfb=3VL9300-3AT10)

**CAX-Online-Generator**

<http://www.siemens.com/cax>

**Tender specifications**

<http://www.siemens.com/specifications>