

cylinder lock adapter accessories compartment accessory for: 3VA15;







Model

product brand name	SETRON
accessories	cylinder lock adapter

Mechanical Design

net weight	157 g
------------	-------

Certificates

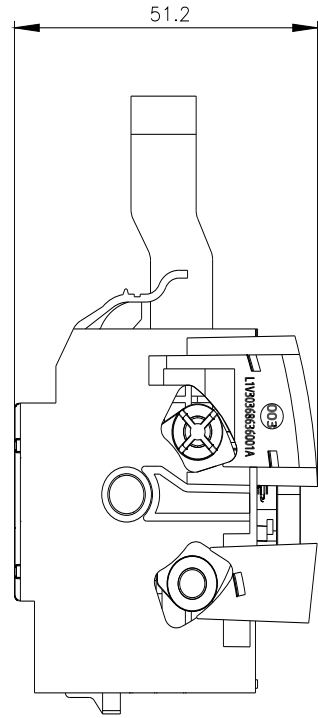
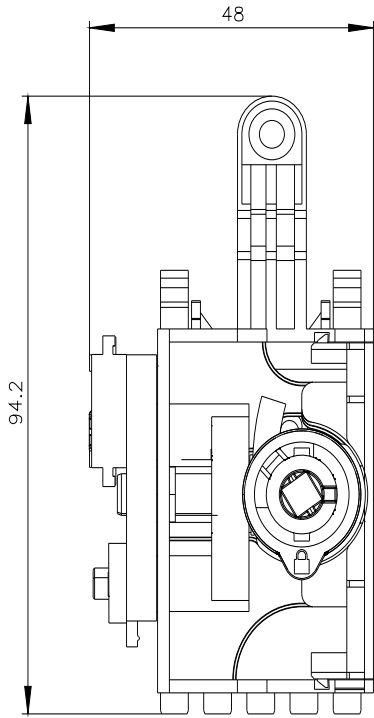
General Product Approval	EMV	Test Certificates
 EG-Konf.		Miscellaneous
		 RCM
		Type Test Certificates/Test Report

Marine / Shipping	other	Environment
-------------------	-------	-------------

 LRS	Miscellaneous	Confirmation	Miscellaneous	Environmental Confirmations	Environmental Confirmations
--	-------------------------------	------------------------------	-------------------------------	---	---

Further information

- Information on the packaging
<https://support.industry.siemens.com/cs/ww/en/view/109813875>
- Information- and Downloadcenter (Catalogs, Brochures,...)
<http://www.siemens.com/lowvoltage/catalogs>
- Industry Mall (Online ordering system)
<https://mall.industry.siemens.com/mall/en/en/Catalog/product?mlfb=3VA9587-0LF10>
- Service&Support (Manuals, Certificates, Characteristics, FAQs,...)
<https://support.industry.siemens.com/cs/ww/en/ps/3VA9587-0LF10>
- Image database (product images, 2D dimension drawings, 3D models, device circuit diagrams, ...)
http://www.automation.siemens.com/bilddb/cax_en.aspx?mlfb=3VA9587-0LF10
- CAX-Online-Generator
<http://www.siemens.com/cax>
- Tender specifications
<http://www.siemens.com/specifications>



last modified:

7/6/2022 

