

Draw-out circuit breaker with slide-in module frame 3-pole, Size 2, IEC In=3200 A to 690 V, 50/60 Hz AC Icu=100 kA at 500 V with connecting flange Overcurrent release ETU 45 LSING protection adjustable 0.4-1 in with display and cubicle bus with ground fault protection Opt.: Comm./measuring func./ZSS Motorized/manual operating mechanism with spring charging motor AC 50/60 Hz 208-240 V or 220-250 V DC Activation AC 50/60 Hz 230 V, 220 V DC With 1st auxiliary release Shunt release "F", F1 50/60 Hz 230 V AC/220 V DC, 100% on-load factor With 2nd auxiliary release "R", F3 Undervoltage, instant. 208-240 V AC, 220-250 V DC 4NO+4NC C01= mechanical switching cycle counter C22= Ready indicator F12= COM16 Modbus module with breaker status sensor R15= Position signaling switch, withdrawable part 3 changeover contacts

Model	
product brand name	SENTRON
product designation	ACB
design of the product	IEC 60947-2
design of the actuating element	Pushbutton
type of the driving mechanism	Manual/motorized operating mechanism with mechanical and electrical closing
type of the driving mechanism / motor drive	Yes
design of the overcurrent release	ETU45B
General technical data	
number of poles	3
size of the circuit-breaker	2
utilization category	B
circuit-breaker / Design	3WL1
Voltage	
Rated insulation voltage Ui	1 000 V
insulation voltage / rated value	1 000 V
operating voltage	
• at AC / at 50/60 Hz / rated value	690 V
Protection class	
protection class IP	IP20
• protection class IP / on the front	IP20
• protection function of the overcurrent release	LSING
Dissipation	
power loss [W]	
• for rated value of the current / at AC / in hot operating state / per pole	236.7 W
• maximum	710 W
Main circuit	
operating frequency	
• 1 / rated value	50 Hz
• 2 / rated value	60 Hz
Auxiliary circuit	
number of NC contacts / for auxiliary contacts	4
number of NO contacts / for auxiliary contacts	4
Suitability	
suitability for use	Plant / motor protection
Adjustable parameters	
adjustable current response value current / of the current-dependent overload release / initial value	1 280 A
Product details	
product component	
• trip indicator	Yes
• voltage trigger	Yes
• undervoltage release	Yes

design of the auxiliary switch	4 NO + 4 NC
product extension / optional / motor drive	No
Product function	
product function	
• grounding protection	Yes
• phase failure detection	Yes
Display and operation	
display version	WITH 4-LINE DISPLAY
Short circuit	
operating short-circuit current breaking capacity (Ics)	
• at 415 V / rated value	100 kA
• at 500 V / rated value	100 kA
• at 690 V / rated value	85 kA
maximum short-circuit current breaking capacity (Icu)	
• at 415 V / rated value	100 kA
• at 500 V / rated value	100 kA
• at 690 V / rated value	85 kA
Connections	
arrangement of electrical connectors / for main current circuit	Rear connection flange
type of electrical connection / for main current circuit	busbar connection
Mechanical Design	
height	465.5 mm
width	460 mm
depth	429.5 mm
fastening method	drawer unit
Environmental conditions	
ambient temperature / during operation	
• minimum	-40 °C
• maximum	55 °C
ambient temperature / during storage	
• minimum	-40 °C
• maximum	80 °C
Further information	

Information on the packaging

<https://support.industry.siemens.com/cs/ww/en/view/109813875>

Industry Mall (Online ordering system)

https://mall.industry.siemens.com/mall/en/en/Catalog/product?mlfb=3WL1232-4FG68-4GN4-Z_C01+C22+F12+R15

Service&Support (Manuals, Certificates, Characteristics, FAQs,...)

https://support.industry.siemens.com/cs/ww/en/ps/3WL1232-4FG68-4GN4-Z_C01+C22+F12+R15

Image database (product images, 2D dimension drawings, 3D models, device circuit diagrams, ...)

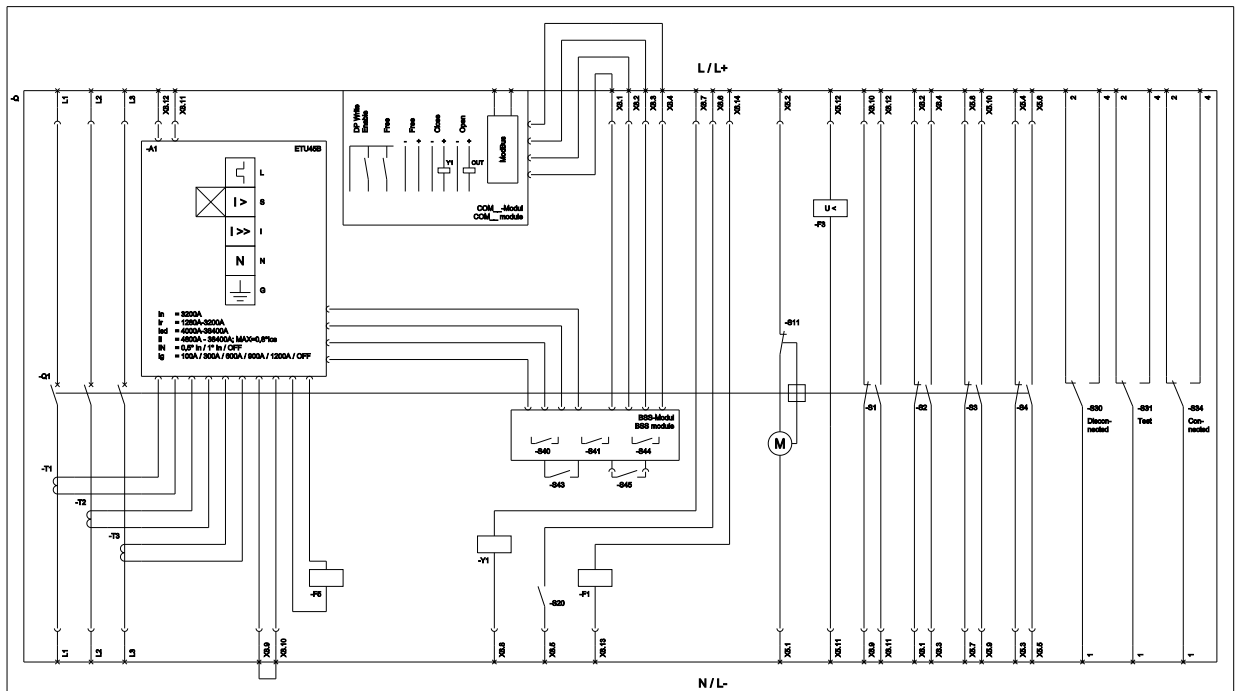
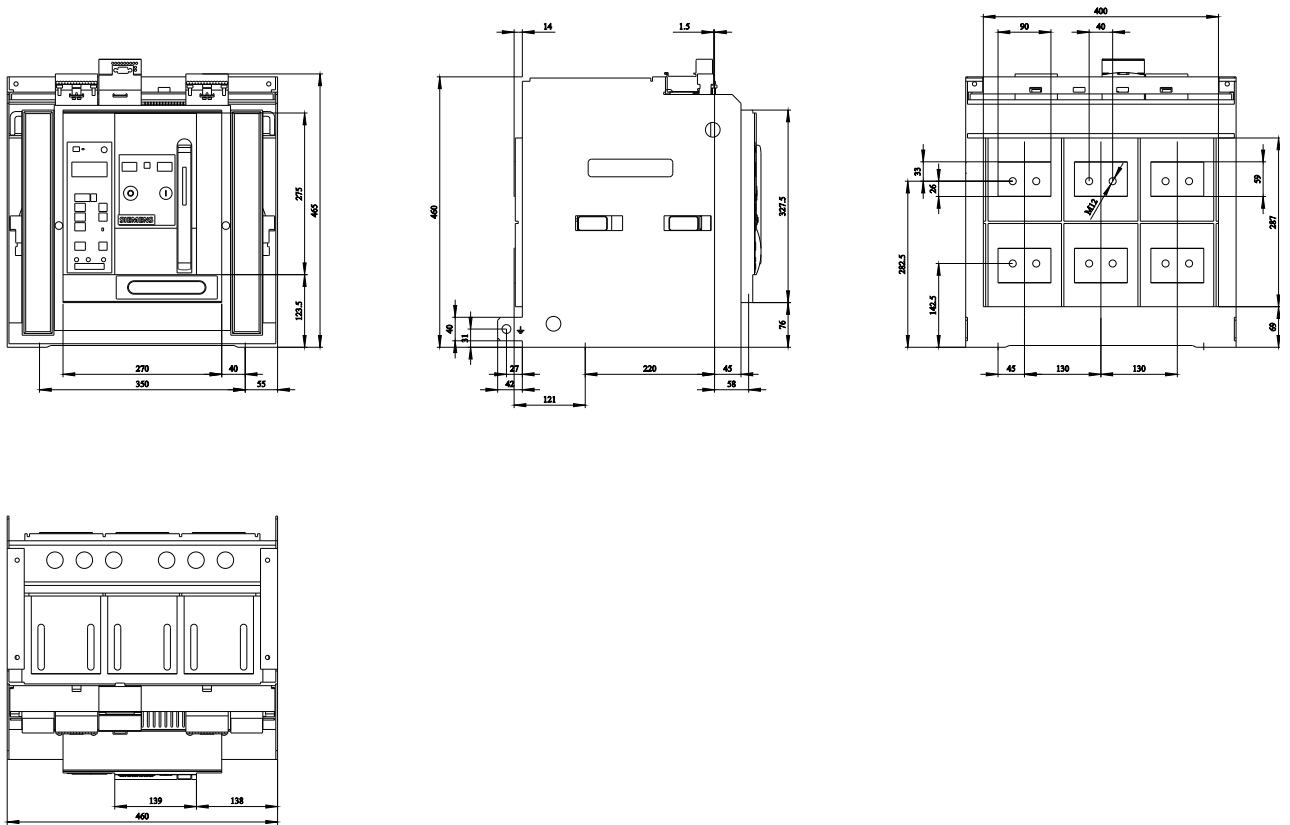
http://www.automation.siemens.com/bilddb/cax_en.aspx?mlfb=3WL1232-4FG68-4GN4-Z_C01+C22+F12+R15

CAX-Online-Generator

<http://www.siemens.com/cax>

Tender specifications

<http://www.siemens.com/specifications>



L (Long Time Delay / Verzögerung), S (Short Time Delay / Kurzverzögerung, Inerenzverzögerung), I (Inrush Current / Einschaltstrom, Anlaufzeit), W (Ground Protection / Erdschutzfunktion), O (Ground Fault Protection / Schutzfunktion), R11 (General motor direction switch, 4-pole 2-throw / Allgemeiner Motorwender, zwei Pole getrennt), T1 (1st auxiliary alarm / Erste Hilfsalarmanzeige), T2 (2nd auxiliary alarm / Zweite Hilfsalarmanzeige), T3 (Alarm lock / Alarmanzeige), T4 (Alarm lock / Alarmanzeige), T5 (Alarm lock / Alarmanzeige), T6 (Alarm lock / Alarmanzeige), T7 (Alarm lock / Alarmanzeige), T8 (Alarm lock / Alarmanzeige), T9 (Alarm lock / Alarmanzeige), T10 (Alarm lock / Alarmanzeige), T11 (Alarm lock / Alarmanzeige), T12 (Alarm lock / Alarmanzeige), T13 (Alarm lock / Alarmanzeige), T14 (Alarm lock / Alarmanzeige), T15 (Alarm lock / Alarmanzeige), T16 (Alarm lock / Alarmanzeige), T17 (Alarm lock / Alarmanzeige), T18 (Alarm lock / Alarmanzeige), T19 (Alarm lock / Alarmanzeige), T20 (Alarm lock / Alarmanzeige), T21 (Alarm lock / Alarmanzeige), T22 (Alarm lock / Alarmanzeige), T23 (Alarm lock / Alarmanzeige), T24 (Alarm lock / Alarmanzeige), T25 (Alarm lock / Alarmanzeige), T26 (Alarm lock / Alarmanzeige), T27 (Alarm lock / Alarmanzeige), T28 (Alarm lock / Alarmanzeige), T29 (Alarm lock / Alarmanzeige), T30 (Alarm lock / Alarmanzeige), T31 (Alarm lock / Alarmanzeige), T32 (Alarm lock / Alarmanzeige), T33 (Alarm lock / Alarmanzeige), T34 (Alarm lock / Alarmanzeige), T35 (Alarm lock / Alarmanzeige), T36 (Alarm lock / Alarmanzeige), T37 (Alarm lock / Alarmanzeige), T38 (Alarm lock / Alarmanzeige), T39 (Alarm lock / Alarmanzeige), T40 (Alarm lock / Alarmanzeige), T41 (Alarm lock / Alarmanzeige), T42 (Alarm lock / Alarmanzeige), T43 (Alarm lock / Alarmanzeige), T44 (Alarm lock / Alarmanzeige), T45 (Alarm lock / Alarmanzeige), T46 (Alarm lock / Alarmanzeige), T47 (Alarm lock / Alarmanzeige), T48 (Alarm lock / Alarmanzeige), T49 (Alarm lock / Alarmanzeige), T50 (Alarm lock / Alarmanzeige), T51 (Alarm lock / Alarmanzeige), T52 (Alarm lock / Alarmanzeige), T53 (Alarm lock / Alarmanzeige), T54 (Alarm lock / Alarmanzeige), T55 (Alarm lock / Alarmanzeige), T56 (Alarm lock / Alarmanzeige), T57 (Alarm lock / Alarmanzeige), T58 (Alarm lock / Alarmanzeige), T59 (Alarm lock / Alarmanzeige), T60 (Alarm lock / Alarmanzeige), T61 (Alarm lock / Alarmanzeige), T62 (Alarm lock / Alarmanzeige), T63 (Alarm lock / Alarmanzeige), T64 (Alarm lock / Alarmanzeige), T65 (Alarm lock / Alarmanzeige), T66 (Alarm lock / Alarmanzeige), T67 (Alarm lock / Alarmanzeige), T68 (Alarm lock / Alarmanzeige), T69 (Alarm lock / Alarmanzeige), T70 (Alarm lock / Alarmanzeige), T71 (Alarm lock / Alarmanzeige), T72 (Alarm lock / Alarmanzeige), T73 (Alarm lock / Alarmanzeige), T74 (Alarm lock / Alarmanzeige), T75 (Alarm lock / Alarmanzeige), T76 (Alarm lock / Alarmanzeige), T77 (Alarm lock / Alarmanzeige), T78 (Alarm lock / Alarmanzeige), T79 (Alarm lock / Alarmanzeige), T80 (Alarm lock / Alarmanzeige), T81 (Alarm lock / Alarmanzeige), T82 (Alarm lock / Alarmanzeige), T83 (Alarm lock / Alarmanzeige), T84 (Alarm lock / Alarmanzeige), T85 (Alarm lock / Alarmanzeige), T86 (Alarm lock / Alarmanzeige), T87 (Alarm lock / Alarmanzeige), T88 (Alarm lock / Alarmanzeige), T89 (Alarm lock / Alarmanzeige), T90 (Alarm lock / Alarmanzeige), T91 (Alarm lock / Alarmanzeige), T92 (Alarm lock / Alarmanzeige), T93 (Alarm lock / Alarmanzeige), T94 (Alarm lock / Alarmanzeige), T95 (Alarm lock / Alarmanzeige), T96 (Alarm lock / Alarmanzeige), T97 (Alarm lock / Alarmanzeige), T98 (Alarm lock / Alarmanzeige), T99 (Alarm lock / Alarmanzeige), T100 (Alarm lock / Alarmanzeige).

last modified:

3/11/2024

