

Draw-out circuit breaker with slide-in module frame 4-pole, Size 1, IEC In=630 A to 690 V, 50/60 Hz AC Icu=55 kA at 500 V with connecting flange Overcurrent release ETU 45 LSING protection adjustable 0.4-1 in with display and cubicle bus with ground fault protection Opt.: Comm./measuring func./ZSS Motorized/manual operating mechanism with spring charging motor AC 50/60 Hz 208-240 V or 220-250 V DC Activation AC 50/60 Hz 230 V, 220 V DC With 1st auxiliary release Shunt release "F", F1 50/60 Hz 230 V AC/220 V DC, 100% on-load factor With 2nd auxiliary release "F", F2 Shunt release 230 V AC/220 V DC, 100% on-load factor 4NO+4NC F02= COM15 PROFIBUS module with breaker status sensor

Further information

Information on the packaging

<https://support.industry.siemens.com/cs/ww/en/view/109813875>

Industry Mall (Online ordering system)

<https://mall.industry.siemens.com/mall/en/en/Catalog/product?mlfb=3WL1106-2FG78-4GG4-Z F02>

Service&Support (Manuals, Certificates, Characteristics, FAQs,...)

<https://support.industry.siemens.com/cs/ww/en/ps/3WL1106-2FG78-4GG4-Z F02>

Image database (product images, 2D dimension drawings, 3D models, device circuit diagrams, ...)

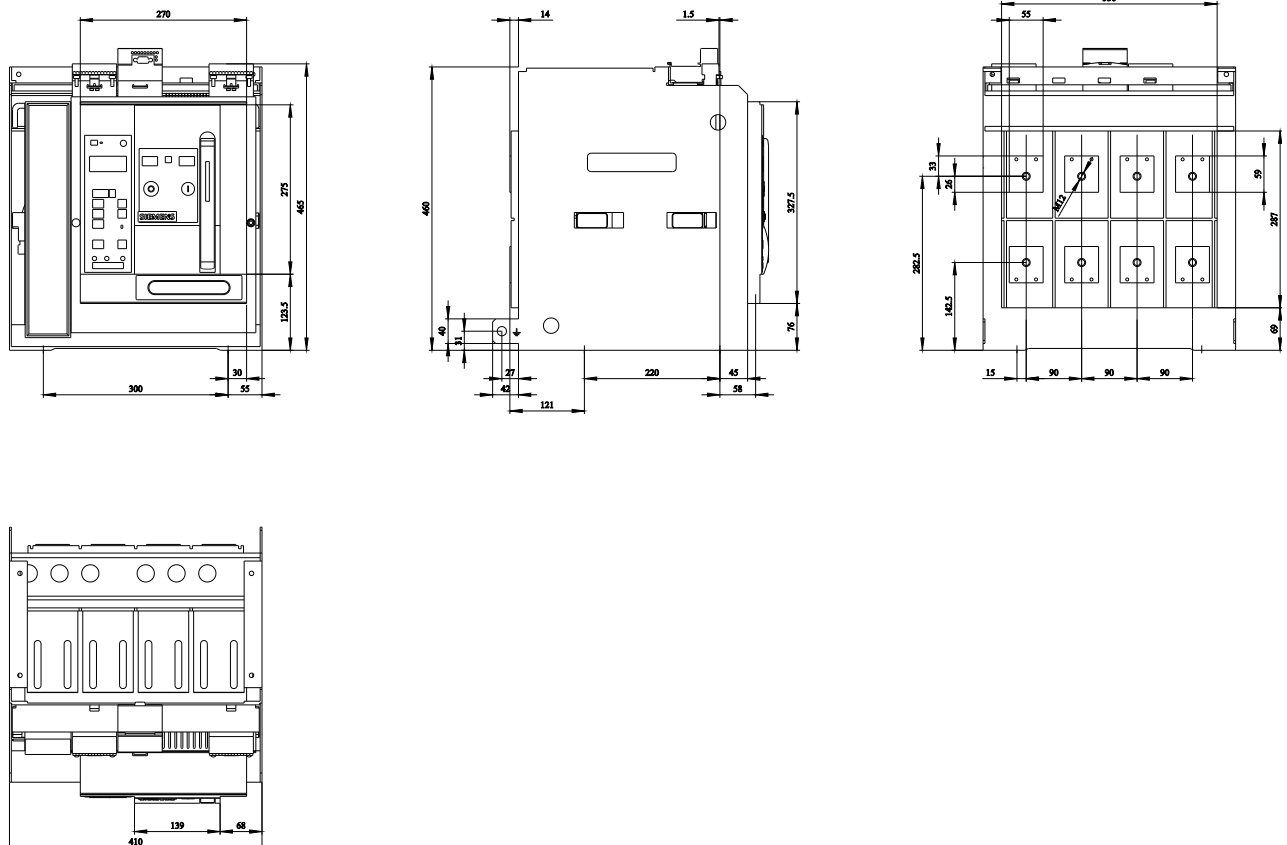
http://www.automation.siemens.com/bilddb/cax_en.aspx?mlfb=3WL1106-2FG78-4GG4-Z F02

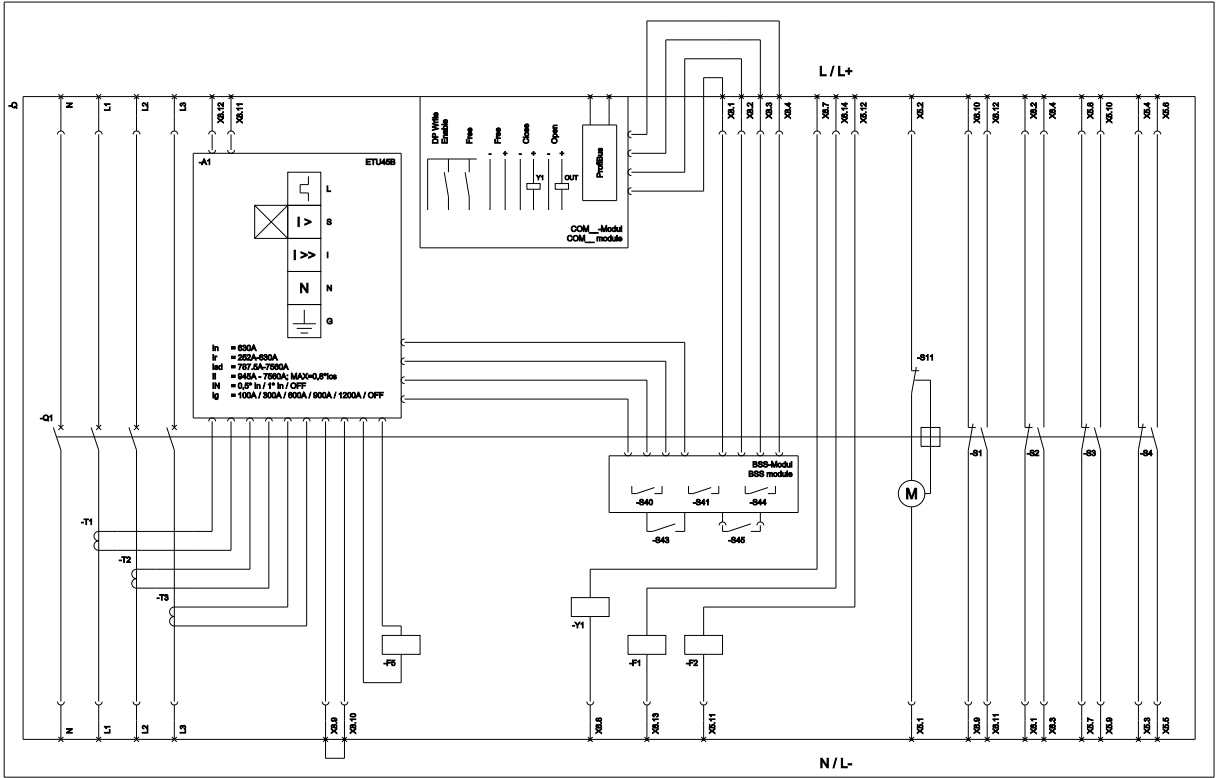
CAX-Online-Generator

<http://www.siemens.com/cax>

Tender specifications

<http://www.siemens.com/specifications>





L (Long Time Delay / Durchlaufzeit); S (Short Time Delay / Kurzschlusszeit, Innenüberlastzeit); I (Inrushcurrent / Kurzschlusszeit, Innenüberlastzeit); N (Neutral Protection / Neutralüberlastzeit); G (Ground Fault Protection / Erdlebensüberlastzeit);
 S11 (Internal motor shutdown switch, if spring is installed / Interne Motorschutzschalter, wenn Feder vorhanden); F1 (1st auxiliary release / Erste Hilfsfunktion); F2 (2nd auxiliary release / Zweite Hilfsfunktion); F3 (3rd auxiliary release / Dritte Hilfsfunktion); S1 - S8 (Auxiliary switch / Hilfsfunktion);
 Y1 (Coasting coil / Bremschleppspule);

last modified:

3/14/2024

