

withdrawable circuit breaker with guide frame 3-pole, size II, IEC In=3200A to 690V, AC50/60Hz Icu=66kA at 500V rear connection horizontal Overcurrent release ETU 25 LSI protection adjustable 0.4-1 in Motorized/manual operating mechanism with spring charging motor AC 50/60 Hz 110-127 V AC or 110-125 V DC Activation 50/60 Hz 110 V AC, 110 V DC With 1st auxiliary release Shunt release "F", F1 50/60 Hz 110 V AC/110 V DC, 100% on-load factor With 2nd auxiliary release "R", F3 Undervoltage, instant. 110-127 V AC, 110-125 V DC 2NO+2NC R21= Shutter 2-part can be locked with padlock T40= Door sealing frame

### Further information

#### Information on the packaging

<https://support.industry.siemens.com/cs/ww/en/view/109813875>

#### Industry Mall (Online ordering system)

<https://mall.industry.siemens.com/mall/en/en/Catalog/product?mlfb=3WL1232-2CB36-5FM2-Z R21+T40>

#### Service&Support (Manuals, Certificates, Characteristics, FAQs,...)

<https://support.industry.siemens.com/cs/ww/en/ps/3WL1232-2CB36-5FM2-Z R21+T40>

#### Image database (product images, 2D dimension drawings, 3D models, device circuit diagrams, ...)

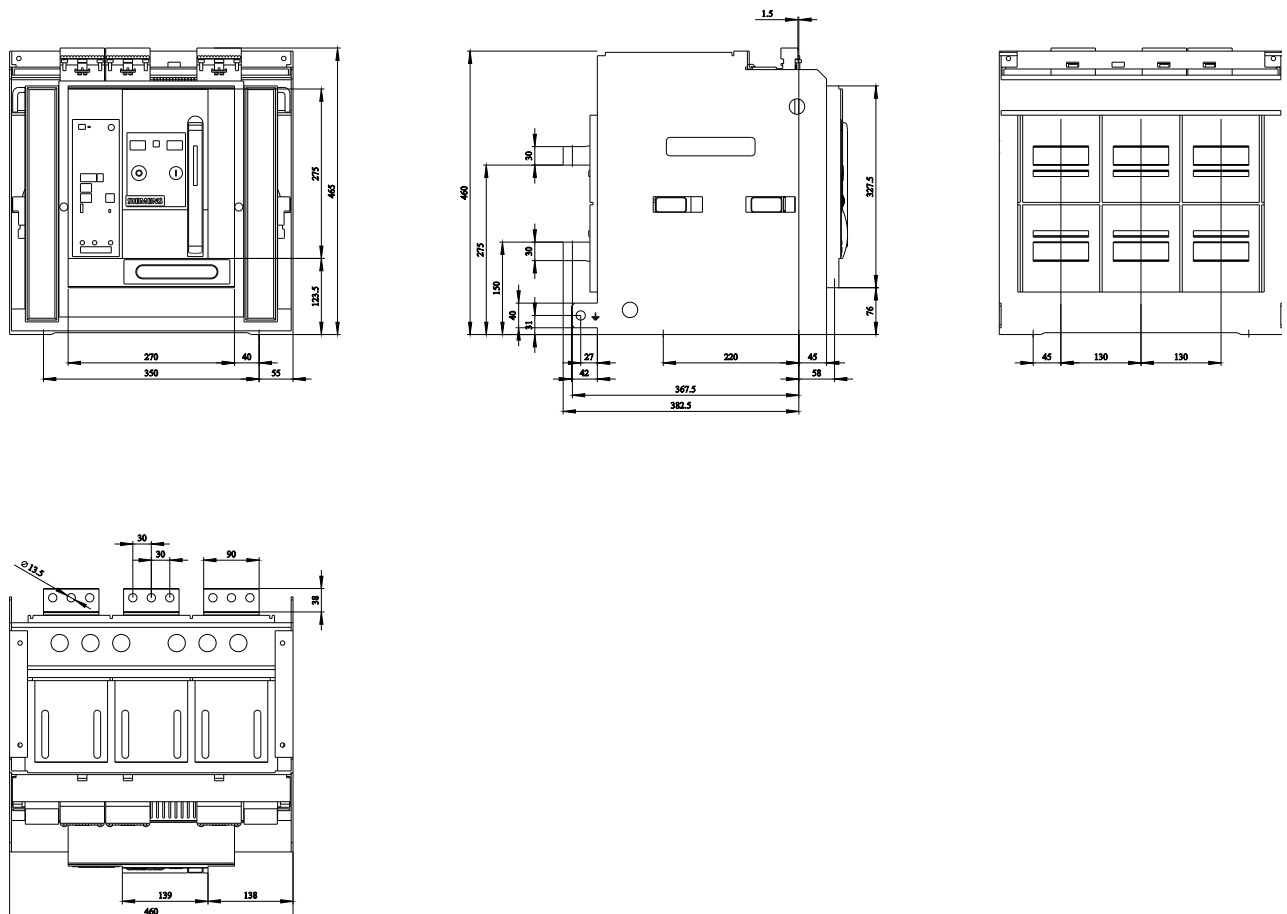
[http://www.automation.siemens.com/bilddb/cax\\_en.aspx?mlfb=3WL1232-2CB36-5FM2-Z R21+T40](http://www.automation.siemens.com/bilddb/cax_en.aspx?mlfb=3WL1232-2CB36-5FM2-Z R21+T40)

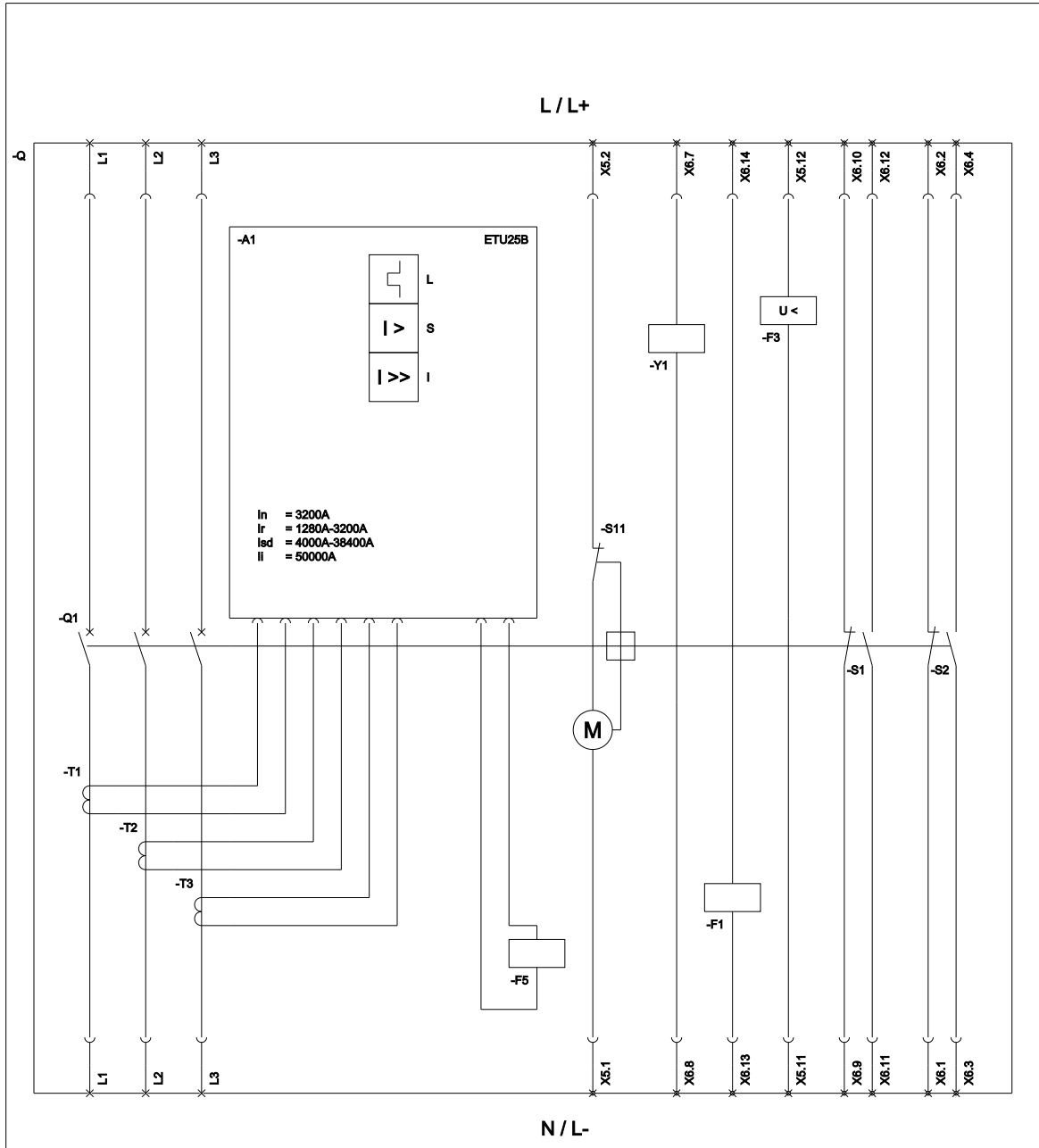
#### CAX-Online-Generator

<http://www.siemens.com/cax>

#### Tender specifications

<http://www.siemens.com/specifications>





L (Long Time Delay / Überlastschutz); S (Short Time Delay / Kurzschlusschutz, kurzzeitverzögert); I (Instantaneous / Kurzschlusschutz, unverzögert);  
 S11 (Internal motor shutdown switch, if spring is tensioned / Interner Motorabstellschalter, wenn Feder gespannt); F1 (1st auxiliary release / Erster Hilfsauslöser);  
 F3 (Undervoltage release / Unterspannungsauslöser); F5 (Maglatch for trip unit / Auslösemagnet); S1 - S8 (Auxiliary switch / Hilfschalter); Y1 (Closing coil / Einschaltmagnet);

last modified:

3/6/2024

