

OVERLOAD RELAY 1...4 A FOR MOTOR PROTECTION SIZE S00,
 CLASS 10 CONTACTOR ASSEMBLY MAIN CIRCUIT: SCREW
 CONN. AUX. CIRCUIT: SCREW CONN. MANUAL-AUTOM. RESET
 REUSABLE PACKAGING PACKAGE = 64 ITEMS



| | |
|--|----------------------------|
| product brandname | SIRIUS |
| Product designation | solid-state overload relay |
| General technical data | |
| Size of overload relay | S00 |
| Size of contactor can be combined company-specific | S00 |
| Power loss [W] total typical | 0.1 W |
| Insulation voltage with degree of pollution 3 rated value | 690 V |
| Surge voltage resistance rated value | 6 kV |
| maximum permissible voltage for safe isolation | |
| <ul style="list-style-type: none"> in networks with grounded star point between auxiliary and auxiliary circuit | 300 V |
| <ul style="list-style-type: none"> in networks with grounded star point between auxiliary and auxiliary circuit | 300 V |
| <ul style="list-style-type: none"> in networks with grounded star point between main and auxiliary circuit | 600 V |
| <ul style="list-style-type: none"> in networks with grounded star point between main and auxiliary circuit | 690 V |
| Protection class IP | |
| <ul style="list-style-type: none"> on the front | IP20 |

| | |
|--|--|
| • of the terminal | IP20 |
| Shock resistance | |
| • acc. to IEC 60068-2-27 | 15g / 11 ms |
| Vibration resistance | 1-6 Hz, 15 mm; 6-500 Hz, 20 m/s ² ; 10 cycles |
| Thermal current | 4 A |
| Recovery time | |
| • after overload trip with automatic reset typical | 3 min |
| • after overload trip with remote-reset | 0 min |
| • after overload trip with manual reset | 0 min |
| Type of protection | II (2) G [Ex e] [Ex d] [Ex px] II (2) D [Ex t] [Ex p] |
| Certificate of suitability relating to ATEX | PTB 09 ATEX 3001 |
| Protection against electrical shock | finger-safe |
| Equipment marking acc. to DIN EN 81346-2 | F |

| | |
|--|----------------|
| Ambient conditions | |
| Installation altitude at height above sea level maximum | 2 000 m |
| Ambient temperature | |
| • during operation | -25 ... +60 °C |
| • during storage | -40 ... +80 °C |
| • during transport | -40 ... +80 °C |
| Temperature compensation | 60 ... -25 °C |
| Relative humidity during operation | 10 ... 95 % |

| | |
|---|--------------|
| Main circuit | |
| Number of poles for main current circuit | 3 |
| Adjustable pick-up value current of the current-dependent overload release | 1 ... 4 A |
| Operating voltage | |
| • rated value | 690 V |
| • at AC-3 rated value maximum | 690 V |
| Operating frequency rated value | 50 ... 60 Hz |
| Operating current rated value | 4 A |

| | |
|---|-----------------------------|
| Auxiliary circuit | |
| Design of the auxiliary switch | integrated |
| Number of NC contacts | |
| • for auxiliary contacts | 1 |
| — Note | for contactor disconnection |
| Number of NO contacts | |
| • for auxiliary contacts | 1 |
| — Note | for message "tripped" |
| Number of CO contacts | |
| • for auxiliary contacts | 0 |
| Operating current of auxiliary contacts at AC-15 | |

| | |
|---|--|
| <ul style="list-style-type: none"> • at 24 V • at 110 V • at 120 V • at 125 V • at 230 V | <p>4 A</p> <p>4 A</p> <p>4 A</p> <p>4 A</p> <p>3 A</p> |
| Operating current of auxiliary contacts at DC-13 | |
| <ul style="list-style-type: none"> • at 24 V • at 60 V • at 110 V • at 125 V • at 220 V | <p>2 A</p> <p>0.55 A</p> <p>0.3 A</p> <p>0.3 A</p> <p>0.11 A</p> |

Protective and monitoring functions

| | |
|---------------------------------------|------------|
| Trip class | CLASS 10E |
| Design of the overload release | electronic |

UL/CSA ratings

| | |
|--|-----------------------|
| Full-load current (FLA) for three-phase AC motor | |
| <ul style="list-style-type: none"> • at 480 V rated value • at 600 V rated value | <p>4 A</p> <p>4 A</p> |
| Contact rating of auxiliary contacts according to UL | B600 / R300 |

Short-circuit protection

| | |
|---|--|
| Design of the fuse link | |
| <ul style="list-style-type: none"> • for short-circuit protection of the main circuit <ul style="list-style-type: none"> — with type of coordination 1 required — with type of assignment 2 required • for short-circuit protection of the auxiliary switch required | <p>gG: 35 A, RK5: 15 A</p> <p>gG: 20 A</p> <p>fuse gG: 6 A</p> |

Installation/ mounting/ dimensions

| | |
|--|---|
| Mounting position | any |
| Mounting type | direct mounting |
| Height | 79 mm |
| Width | 45 mm |
| Depth | 73 mm |
| Required spacing | |
| <ul style="list-style-type: none"> • with side-by-side mounting <ul style="list-style-type: none"> — forwards — Backwards — upwards — downwards — at the side • for grounded parts | <p>0 mm</p> <p>0 mm</p> <p>0 mm</p> <p>0 mm</p> <p>0 mm</p> |

| | |
|------------------|------|
| — forwards | 0 mm |
| — Backwards | 0 mm |
| — upwards | 0 mm |
| — at the side | 6 mm |
| — downwards | 0 mm |
| • for live parts | |
| — forwards | 0 mm |
| — Backwards | 0 mm |
| — upwards | 0 mm |
| — downwards | 0 mm |
| — at the side | 6 mm |

Connections/Terminals

| | |
|--|--|
| Product function | |
| <ul style="list-style-type: none"> removable terminal for auxiliary and control circuit | Yes |
| Type of electrical connection | |
| <ul style="list-style-type: none"> for main current circuit for auxiliary and control current circuit | <p>screw-type terminals</p> <p>screw-type terminals</p> |
| Arrangement of electrical connectors for main current circuit | Top and bottom |
| Type of connectable conductor cross-sections | |
| <ul style="list-style-type: none"> for main contacts <ul style="list-style-type: none"> single or multi-stranded finely stranded with core end processing at AWG conductors for main contacts | <p>1x (0,5 ... 4 mm²), 2x (0,5 ... 1,5 mm²), 2x (0,75 ... 4 mm²)</p> <p>1x (0.5 ... 2.5 mm²), 2x (0.5 ... 2.5 mm²)</p> <p>1x (20 ... 12), 2x (20 ... 12)</p> |
| Type of connectable conductor cross-sections | |
| <ul style="list-style-type: none"> for auxiliary contacts <ul style="list-style-type: none"> single or multi-stranded finely stranded with core end processing at AWG conductors for auxiliary contacts | <p>1x (0,5 ... 4 mm²), 2x (0,5 ... 1,5 mm²), 2x (0,75 ... 2,5 mm²)</p> <p>1x (0.5 ... 1.5 mm²), 2x (0.5 ... 1.5 mm²), 1x (0.5 ... 2.5 mm²)</p> <p>1x (20 ... 14), 2x (20 ... 14)</p> |
| Tightening torque | |
| <ul style="list-style-type: none"> for main contacts with screw-type terminals for auxiliary contacts with screw-type terminals | <p>0.8 ... 1.2 N·m</p> <p>0.8 ... 1.2 N·m</p> |
| Design of screwdriver shaft | Diameter 5 to 6 mm |
| Design of the thread of the connection screw | |
| <ul style="list-style-type: none"> for main contacts of the auxiliary and control contacts | <p>M3</p> <p>M3</p> |

Communication/ Protocol

| | |
|--|----|
| Type of voltage supply via input/output link master | No |
|--|----|

Electromagnetic compatibility

| | |
|---|--------|
| Field-bound parasitic coupling acc. to IEC 61000-4-3 | 10 V/m |
|---|--------|

Electrostatic discharge acc. to IEC 61000-4-2

6 kV contact discharge / 8 kV air discharge

Display

Display version

- for switching status

Slide switch

Certificates/approvals

| General Product Approval | EMC | For use in hazardous locations |
|--------------------------|-----|--------------------------------|
|--------------------------|-----|--------------------------------|



CCC



CSA



UL



C-Tick



ATEX

| Declaration of Conformity | Test Certificates | Shipping Approval |
|---------------------------|-------------------|-------------------|
|---------------------------|-------------------|-------------------|



EG-Konf.

[Typprüfbescheinigung/Werkszeugnis](#)

[spezielle Prüfbescheinigung](#)

[n](#)



ABS



BUREAU VERITAS



DNV

| Shipping Approval | other |
|-------------------|-------|
|-------------------|-------|



GL



LRS



RINA

[Umweltbestätigung](#)

[Bestätigungen](#)

Further information

Information- and Downloadcenter (Catalogs, Brochures,...)

<http://www.siemens.com/industrial-controls/catalogs>

Industry Mall (Online ordering system)

<https://mall.industry.siemens.com/mall/en/en/Catalog/product?mlfb=3RB3016-1PB0-Z X95>

Cax online generator

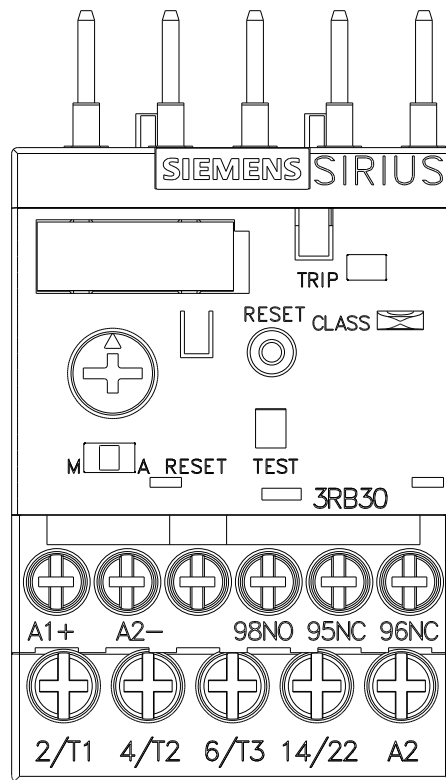
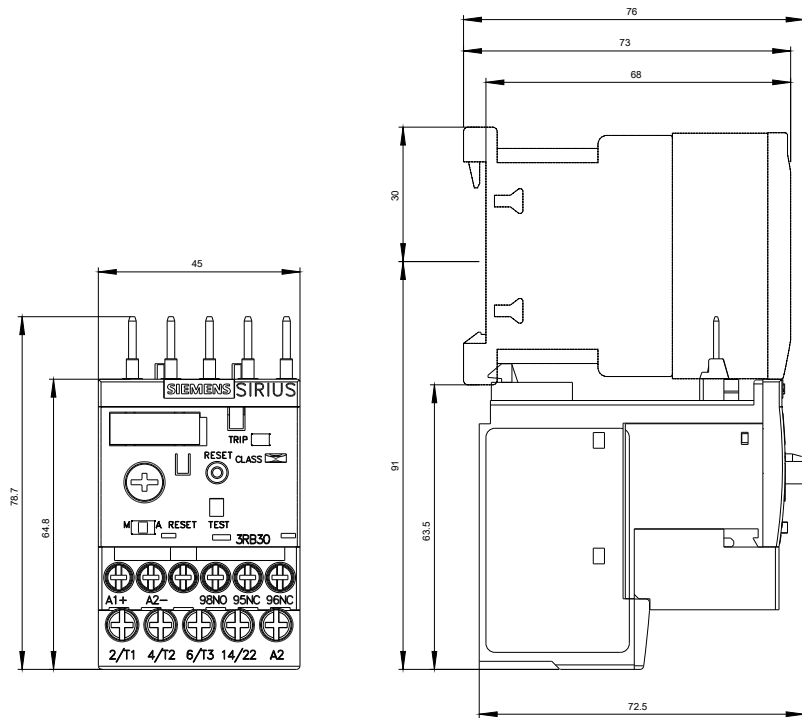
<http://support.automation.siemens.com/WW/CAXorder/default.aspx?lang=en&mlfb=3RB3016-1PB0-Z X95>

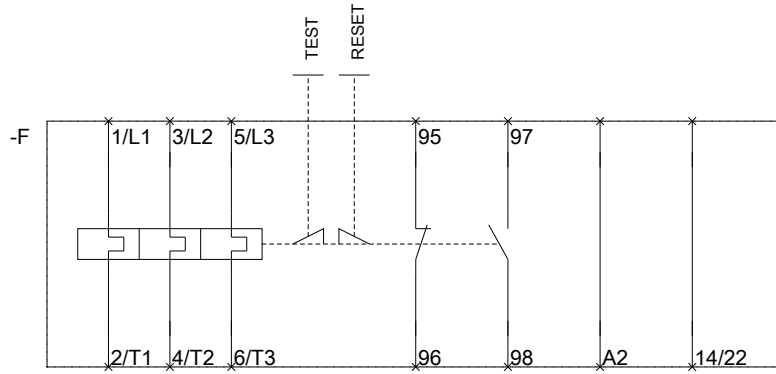
Service&Support (Manuals, Certificates, Characteristics, FAQs,...)

<https://support.industry.siemens.com/cs/ww/en/ps/3RB3016-1PB0-Z X95>

Image database (product images, 2D dimension drawings, 3D models, device circuit diagrams, EPLAN macros, ...)

http://www.automation.siemens.com/bilddb/cax_de.aspx?mlfb=3RB3016-1PB0-Z X95&lang=en





last modified:

10/19/2016