

OVERLOAD RELAY 0.32...1.25 A FOR MOTOR PROTECTION
 SIZE S00, CLASS 10 CONTACTOR ASS. MAIN CIRCUIT: SCREW
 CONN. AUX.CIRCUIT: SCREW CONN. MANUAL-AUTOM.-RESET
 REUSABLE PACKAGING PACKAGE = 64 ITEMS



product brandname	SIRIUS
Product designation	solid-state overload relay
General technical data	
Size of overload relay	S00
Size of contactor can be combined company-specific	S00
Power loss [W] total typical	0.1 W
Insulation voltage with degree of pollution 3 rated value	690 V
Surge voltage resistance rated value	6 kV
maximum permissible voltage for safe isolation	
<ul style="list-style-type: none"> in networks with grounded star point between auxiliary and auxiliary circuit 	300 V
<ul style="list-style-type: none"> in networks with grounded star point between auxiliary and auxiliary circuit 	300 V
<ul style="list-style-type: none"> in networks with grounded star point between main and auxiliary circuit 	600 V
<ul style="list-style-type: none"> in networks with grounded star point between main and auxiliary circuit 	690 V
Protection class IP	
<ul style="list-style-type: none"> on the front 	IP20

• of the terminal	IP20
Shock resistance	
• acc. to IEC 60068-2-27	15g / 11 ms
Vibration resistance	1-6 Hz, 15 mm; 6-500 Hz, 20 m/s ² ; 10 cycles
Thermal current	1.25 A
Recovery time	
• after overload trip with automatic reset typical	3 min
• after overload trip with remote-reset	0 min
• after overload trip with manual reset	0 min
Type of protection	II (2) G [Ex e] [Ex d] [Ex px] II (2) D [Ex t] [Ex p]
Certificate of suitability relating to ATEX	PTB 09 ATEX 3001
Protection against electrical shock	finger-safe
Equipment marking acc. to DIN EN 81346-2	F

Ambient conditions	
Installation altitude at height above sea level maximum	2 000 m
Ambient temperature	
• during operation	-25 ... +60 °C
• during storage	-40 ... +80 °C
• during transport	-40 ... +80 °C
Temperature compensation	60 ... -25 °C
Relative humidity during operation	10 ... 95 %

Main circuit	
Number of poles for main current circuit	3
Adjustable pick-up value current of the current-dependent overload release	0.32 ... 1.25 A
Operating voltage	
• rated value	690 V
• at AC-3 rated value maximum	690 V
Operating frequency rated value	50 ... 60 Hz
Operating current rated value	1.25 A

Auxiliary circuit	
Design of the auxiliary switch	integrated
Number of NC contacts	
• for auxiliary contacts	1
— Note	for contactor disconnection
Number of NO contacts	
• for auxiliary contacts	1
— Note	for message "tripped"
Number of CO contacts	
• for auxiliary contacts	0
Operating current of auxiliary contacts at AC-15	

<ul style="list-style-type: none"> • at 24 V • at 110 V • at 120 V • at 125 V • at 230 V 	<p>4 A</p> <p>4 A</p> <p>4 A</p> <p>4 A</p> <p>3 A</p>
Operating current of auxiliary contacts at DC-13	
<ul style="list-style-type: none"> • at 24 V • at 60 V • at 110 V • at 125 V • at 220 V 	<p>2 A</p> <p>0.55 A</p> <p>0.3 A</p> <p>0.3 A</p> <p>0.11 A</p>

Protective and monitoring functions

Trip class	CLASS 10E
Design of the overload release	electronic

UL/CSA ratings

Full-load current (FLA) for three-phase AC motor	
<ul style="list-style-type: none"> • at 480 V rated value • at 600 V rated value 	<p>1.25 A</p> <p>1.25 A</p>
Contact rating of auxiliary contacts according to UL	B600 / R300

Short-circuit protection

Design of the fuse link	
<ul style="list-style-type: none"> • for short-circuit protection of the main circuit <ul style="list-style-type: none"> — with type of coordination 1 required — with type of assignment 2 required • for short-circuit protection of the auxiliary switch required 	<p>gG: 35 A, RK5: 6 A</p> <p>gG: 6 A</p> <p>fuse gG: 6 A</p>

Installation/ mounting/ dimensions

Mounting position	any
Mounting type	direct mounting
Height	79 mm
Width	45 mm
Depth	73 mm
Required spacing	
<ul style="list-style-type: none"> • with side-by-side mounting <ul style="list-style-type: none"> — forwards — Backwards — upwards — downwards — at the side • for grounded parts 	<p>0 mm</p> <p>0 mm</p> <p>0 mm</p> <p>0 mm</p> <p>0 mm</p>

— forwards	0 mm
— Backwards	0 mm
— upwards	0 mm
— at the side	6 mm
— downwards	0 mm
• for live parts	
— forwards	0 mm
— Backwards	0 mm
— upwards	0 mm
— downwards	0 mm
— at the side	6 mm

Connections/Terminals

Product function	
<ul style="list-style-type: none"> removable terminal for auxiliary and control circuit 	Yes
Type of electrical connection	
<ul style="list-style-type: none"> for main current circuit for auxiliary and control current circuit 	<p>screw-type terminals</p> <p>screw-type terminals</p>
Arrangement of electrical connectors for main current circuit	Top and bottom
Type of connectable conductor cross-sections	
<ul style="list-style-type: none"> for main contacts <ul style="list-style-type: none"> single or multi-stranded finely stranded with core end processing at AWG conductors for main contacts 	<p>1x (0,5 ... 4 mm²), 2x (0,5 ... 1,5 mm²), 2x (0,75 ... 4 mm²)</p> <p>1x (0.5 ... 2.5 mm²), 2x (0.5 ... 2.5 mm²)</p> <p>1x (20 ... 12), 2x (20 ... 12)</p>
Type of connectable conductor cross-sections	
<ul style="list-style-type: none"> for auxiliary contacts <ul style="list-style-type: none"> single or multi-stranded finely stranded with core end processing at AWG conductors for auxiliary contacts 	<p>1x (0,5 ... 4 mm²), 2x (0,5 ... 1,5 mm²), 2x (0,75 ... 2,5 mm²)</p> <p>1x (0.5 ... 1.5 mm²), 2x (0.5 ... 1.5 mm²), 1x (0.5 ... 2.5 mm²)</p> <p>1x (20 ... 14), 2x (20 ... 14)</p>
Tightening torque	
<ul style="list-style-type: none"> for main contacts with screw-type terminals for auxiliary contacts with screw-type terminals 	<p>0.8 ... 1.2 N·m</p> <p>0.8 ... 1.2 N·m</p>
Design of screwdriver shaft	Diameter 5 to 6 mm
Design of the thread of the connection screw	
<ul style="list-style-type: none"> for main contacts of the auxiliary and control contacts 	<p>M3</p> <p>M3</p>

Communication/ Protocol

Type of voltage supply via input/output link master	No
--	----

Electromagnetic compatibility

Field-bound parasitic coupling acc. to IEC 61000-4-3	10 V/m
---	--------

Electrostatic discharge acc. to IEC 61000-4-2

6 kV contact discharge / 8 kV air discharge

Display

Display version

- for switching status

Slide switch

Certificates/approvals

General Product Approval	EMC	For use in hazardous locations
--------------------------	-----	--------------------------------



CCC



CSA



UL



C-Tick



ATEX

Declaration of Conformity	Test Certificates	Shipping Approval
---------------------------	-------------------	-------------------



EG-Konf.

[Typprüfbescheinigung/Werkszeugnis](#)

[spezielle Prüfbescheinigung](#)

[n](#)



ABS



BUREAU VERITAS



DNV

Shipping Approval	other
-------------------	-------



GL



LRS



RINA

[Umweltbestätigung](#)

[Bestätigungen](#)

Further information

Information- and Downloadcenter (Catalogs, Brochures,...)

<http://www.siemens.com/industrial-controls/catalogs>

Industry Mall (Online ordering system)

<https://mall.industry.siemens.com/mall/en/en/Catalog/product?mlfb=3RB3016-1NB0-Z X95>

Cax online generator

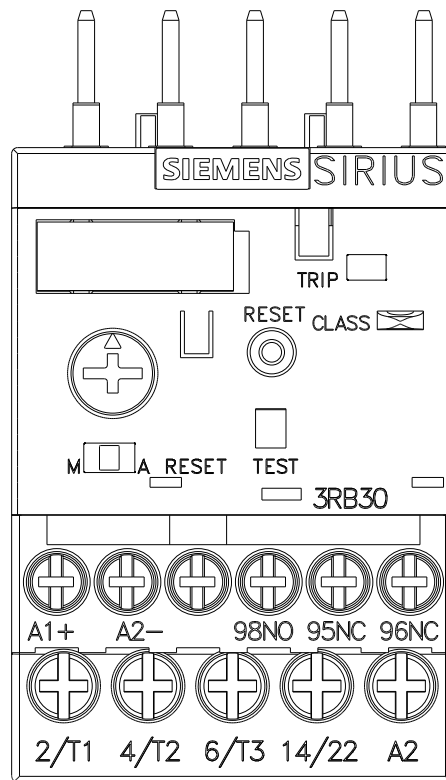
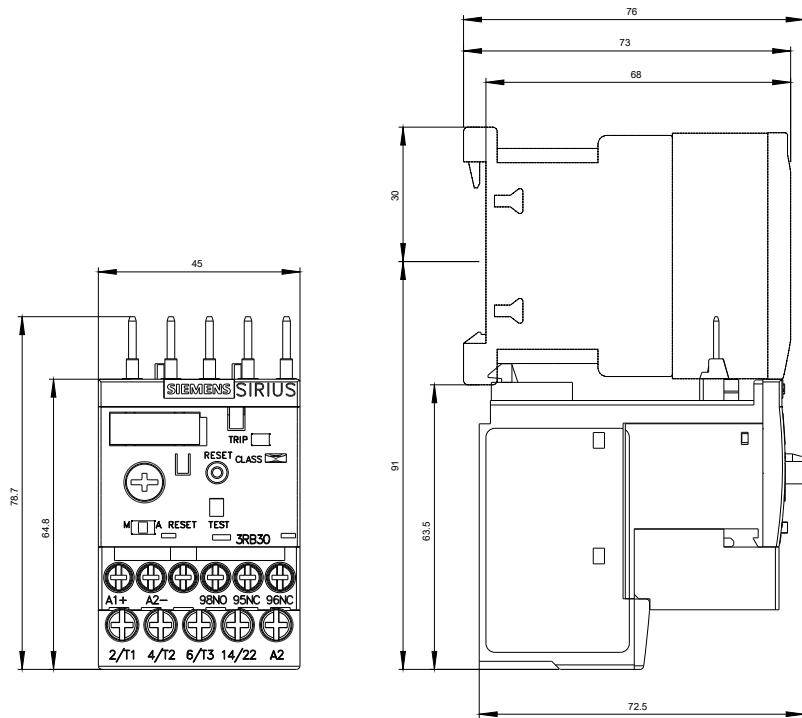
<http://support.automation.siemens.com/WW/CAXorder/default.aspx?lang=en&mlfb=3RB3016-1NB0-Z X95>

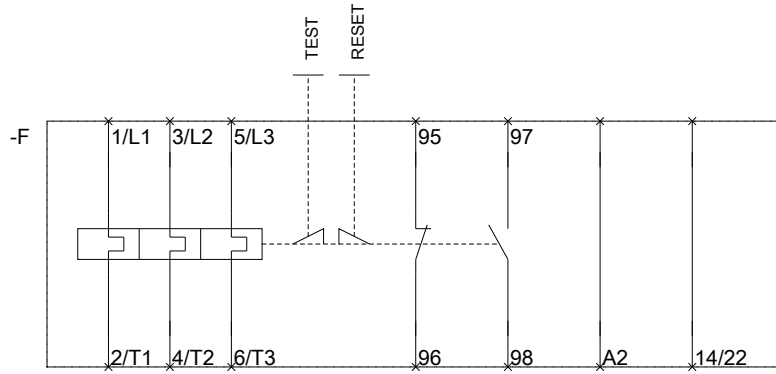
Service&Support (Manuals, Certificates, Characteristics, FAQs,...)

<https://support.industry.siemens.com/cs/ww/en/ps/3RB3016-1NB0-Z X95>

Image database (product images, 2D dimension drawings, 3D models, device circuit diagrams, EPLAN macros, ...)

http://www.automation.siemens.com/bilddb/cax_de.aspx?mlfb=3RB3016-1NB0-Z X95&lang=en





last modified:

10/19/2016