

fixed-mounted circuit breakers 3-pole, frame size 0, IEC In=1000A to 690V, 50/60Hz AC Icu=55kA at 415V Icu=50kA at 500V Icu=42kA at 690V ETU320 electronic trip units li rotary coding switch with tripped signaling switch, RTC and 4Aux auxiliary switches protection adjustable I: Ir 0.4-1 In i: ii 1-15 In w. var. n conductor protection rear horizontal connection no communication link, no metering funct. Manual operating mechanism of the spring energy store With mechanical closing Without 2nd auxiliary release Without 1st auxiliary release A07= Pre-installed mounting support standard, for floor mounting (circuit breaker feet std.) S22= Locking device bracket lock in OFF position, against unauthorized Switching on D=4 mm, plastic (Safe Off/disconnector function) T30= Door sealing frame IP30 for fixed-mounted circuit breaker

Model	
product brand name	SENTRON
product designation	3WL10 air circuit breaker
design of the product	IEC 60947-2
design of the actuating element	Pushbutton
type of the driving mechanism	Manual operating mechanism with spring charged signaling switch S21
type of the driving mechanism / motor drive	No
design of the overcurrent release	ETU320
General technical data	
number of poles	3
size of the circuit-breaker	0
circuit-breaker / Design	3WL10
Voltage	
insulation voltage / rated value	1 000 V
operating voltage	
• at AC / at 50/60 Hz / rated value	690 V
Protection class	
protection class IP	IP30
protection class IP / on the front	IP30
power loss [W] / for rated value of the current / at AC / in hot operating state / per pole	26 W
Auxiliary circuit	
number of CO contacts / for auxiliary contacts	4
number of NC contacts / for auxiliary contacts	0
number of NO contacts / for auxiliary contacts	0
Suitability	
suitability for use	system protection
Adjustable parameters	
adjustable current response value current / of the current-dependent overload release / initial value	400 A
Product details	
product component	
• trip indicator	Yes
• voltage trigger	No
• undervoltage release	No
product extension / optional / motor drive	Yes
Product function	
product function	
• grounding protection	No
• phase failure detection	Yes
Display and operation	
display version	Without display
Short circuit	
operating short-circuit current breaking capacity (Ics)	
• at 415 V / rated value	55 kA

<ul style="list-style-type: none"> • at 440 V / rated value • at 500 V / rated value • at 690 V / rated value 	55 kA 50 kA 42 kA
maximum short-circuit current breaking capacity (I _{cu}) <ul style="list-style-type: none"> • at 415 V / rated value • at 440 V / rated value • at 500 V / rated value • at 690 V / rated value 	55 kA 55 kA 50 kA 42 kA

Connections

arrangement of electrical connectors / for main current circuit	Main terminal on the rear horizontal
type of electrical connection / for main current circuit	busbar connection

Mechanical Design

height	296 mm
width	210 mm
depth	183 mm
fastening method	Fixed-mounted circuit breakers
net weight	14 kg

Environmental conditions

ambient temperature / during operation <ul style="list-style-type: none"> • minimum • maximum 	-25 °C 70 °C
ambient temperature / during storage <ul style="list-style-type: none"> • minimum • maximum 	-40 °C 70 °C

Further information

Information on the packaging

<https://support.industry.siemens.com/cs/ww/en/view/109813875>

Industry Mall (Online ordering system)

<https://mall.industry.siemens.com/mall/en/en/Catalog/product?mlfb=3WL1010-2AB02-0AA0-Z A07+S22+T30>

Service&Support (Manuals, Certificates, Characteristics, FAQs,...)

<https://support.industry.siemens.com/cs/ww/en/ps/3WL1010-2AB02-0AA0-Z A07+S22+T30>

Image database (product images, 2D dimension drawings, 3D models, device circuit diagrams, ...)

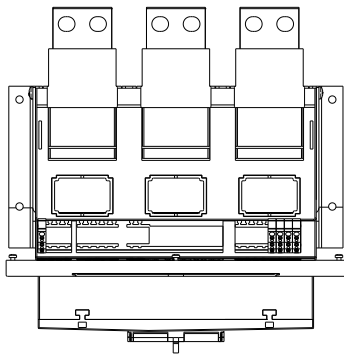
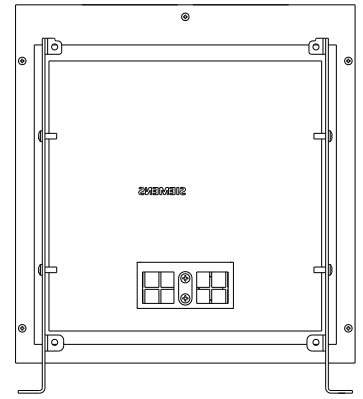
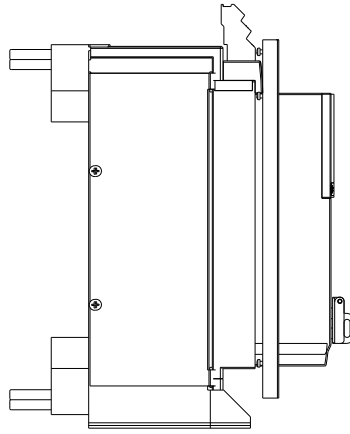
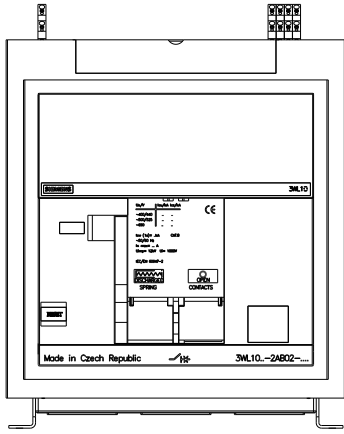
http://www.automation.siemens.com/bilddb/cax_en.aspx?mlfb=3WL1010-2AB02-0AA0-Z A07+S22+T30

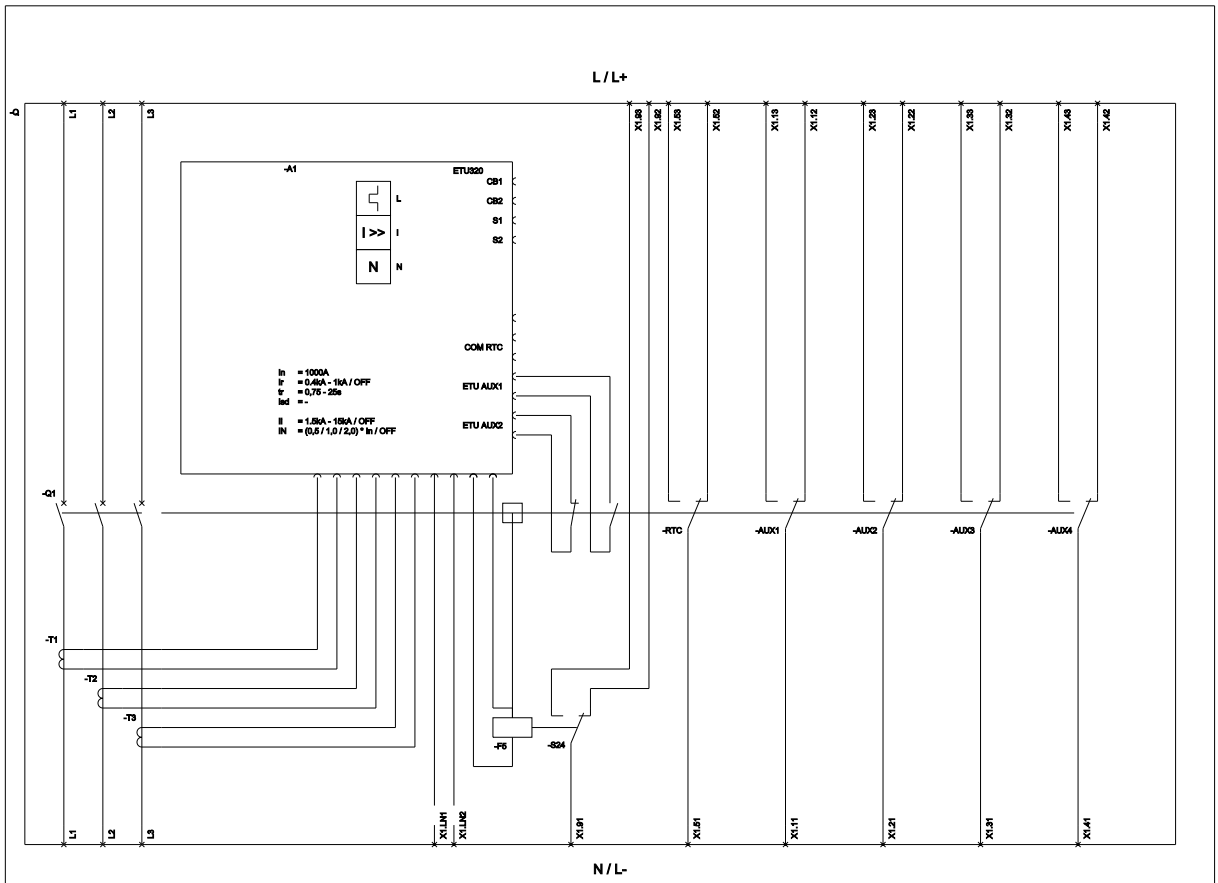
CAx-Online-Generator

<http://www.siemens.com/cax>

Tender specifications

<http://www.siemens.com/specifications>





L (Long Time Delay / Überstromschutz), I (Current sensor / Stromschutzelement, urreaktor), N (Neutral Protection / Neutralschutz), RTC (Ready to close / Abschließbereitschaftsschaltrelais), F5 (Fusible link for trip unit / Auslösestromerzeuger), EM (trip signaling module / Anzeigeelementschaltrelais), ALDX1 - ALDX4 (Auxiliary switches / Hilfskontakte);

last modified:

2/17/2023

