

Sealable cap for pushbutton, raised, 22 mm, front ring, raised, castellated, clear



| | |
|---|--------------------------------------|
| product brand name | SIRIUS ACT |
| product designation | Sealable cap |
| design of the product | for pushbuttons with extended stroke |
| product type designation | 3SU1 |
| General technical data | |
| protection class IP | IP66, IP67, IP69(IP69K) |
| degree of protection NEMA rating | 1, 2, 3, 3R, 4, 4X, 12 |
| Substance Prohibitance (Date) | 10/01/2014 |
| Ambient conditions | |
| ambient temperature | -40 ... +80 °C |
| • during storage | |
| Installation/ mounting/ dimensions | |
| height | 39.2 mm |
| width | 32.5 mm |
| depth | 36.2 mm |
| Accessories | |
| material of accessory | Plastic |
| color of accessory | clear |
| Certificates/ approvals | |
| General Product Approval | Declaration of Conformity |



[Confirmation](#)



| | | |
|-------------------|-------------------|-------|
| Test Certificates | Marine / Shipping | other |
|-------------------|-------------------|-------|

[Type Test Certificates/Test Report](#)



[Confirmation](#)

Environment

[Environmental Confirmations](#)

Further information

Siemens has decided to exit the Russian market (see here).

<https://press.siemens.com/global/en/pressrelease/siemens-wind-down-russian-business>

Siemens is working on the renewal of the current EAC certificates.

Please contact your local Siemens office on the status of validity of the EAC certification if you intend to import or offer to supply these products to an EAC relevant market (other than the sanctioned EAEU member states Russia or Belarus).

Information on the packaging

<https://support.industry.siemens.com/cs/ww/en/view/109813875>

Information- and Downloadcenter (Catalogs, Brochures,...)

<https://www.siemens.com/ic10>

Industry Mall (Online ordering system)

<https://mall.industry.siemens.com/mall/en/en/Catalog/product?mlfb=3SU1900-0EL70-0AA0>

Cax online generator

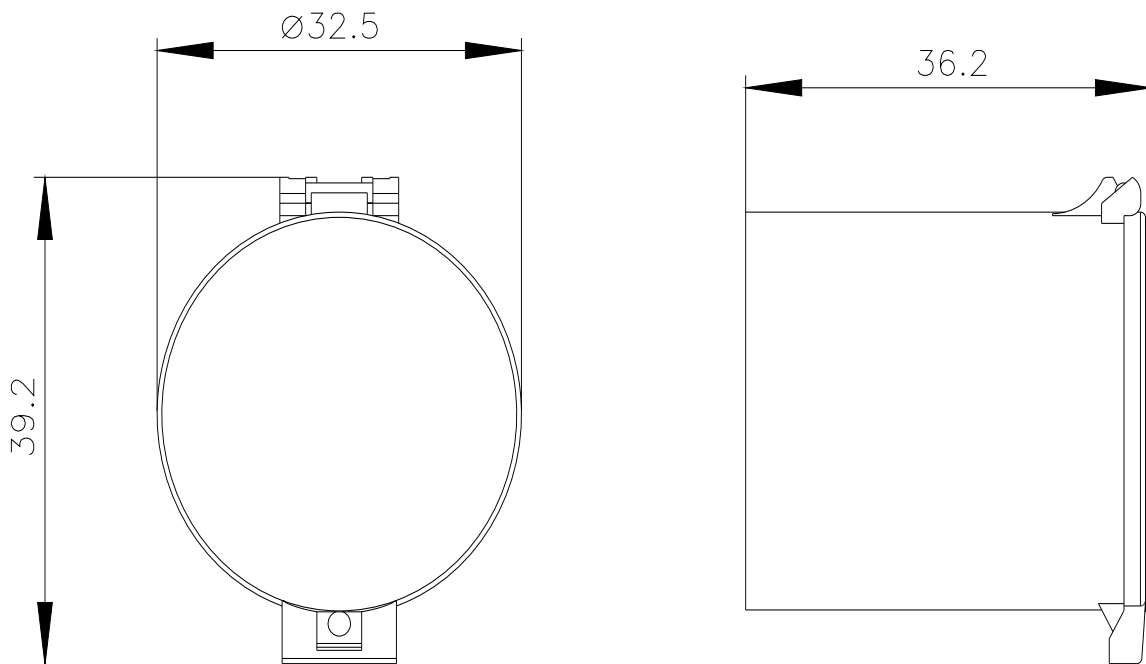
<http://support.automation.siemens.com/WW/CAXorder/default.aspx?lang=en&mlfb=3SU1900-0EL70-0AA0>

Service&Support (Manuals, Certificates, Characteristics, FAQs,...)

<https://support.industry.siemens.com/cs/ww/en/ps/3SU1900-0EL70-0AA0>

Image database (product images, 2D dimension drawings, 3D models, device circuit diagrams, EPLAN macros, ...)

http://www.automation.siemens.com/bilddb/cax_de.aspx?mlfb=3SU1900-0EL70-0AA0&lang=en



last modified:

1/18/2023 