



Pushbutton, 22 mm, round, plastic, green, pushbutton, flat, latching, Push-to-release mechanism

product brand name	SIRIUS ACT
product designation	Pushbuttons
design of the product	Actuating/signaling element
product type designation	3SU1
product line	Plastic, black, 22 mm

Enclosure

number of command points	1
--------------------------	---

Actuator

design of the actuating element	Flat button
principle of operation of the actuating element	latching
product extension optional	No
<ul style="list-style-type: none"> light source contact module 	Yes
color of the actuating element	green
material of the actuating element	plastic
shape of the actuating element	round
outer diameter of the actuating element	29.5 mm
type of unlocking device	push-to-unlatch mechanism

Front ring

product component front ring	Yes
design of the front ring	Standard
material of the front ring	plastic
color of the front ring	black

General technical data

protection class IP	IP66, IP67, IP69(IP69K)
degree of protection NEMA rating	1, 2, 3, 3R, 4, 4X, 12, 13
shock resistance	sinusoidal half-wave 15g / 11 ms
<ul style="list-style-type: none"> according to IEC 60068-2-27 for railway applications according to EN 61373 	Category 1, Class B
vibration resistance	10 ... 500 Hz: 5g
<ul style="list-style-type: none"> according to IEC 60068-2-6 for railway applications according to EN 61373 	Category 1, Class B
operating frequency maximum	1 800 1/h
mechanical service life (operating cycles) typical	500 000
reference code according to IEC 81346-2	S
Substance Prohibitance (Date)	10/01/2014

Ambient conditions

ambient temperature	-25 ... +70 °C
<ul style="list-style-type: none"> during operation during storage 	-40 ... +80 °C
environmental category during operation according to IEC	3M6, 3S2, 3B2, 3C3, 3K6 (with relative air humidity of 10 ... 95%)

Installation/ mounting/ dimensions

height	29.5 mm
width	29.5 mm
shape of the installation opening	round
mounting diameter	22.3 mm
positive tolerance of installation diameter	0.4 mm
mounting height	11 mm
installation width	29.5 mm
installation depth	24.3 mm

Certificates/ approvals

General Product Approval

Declaration of Conformity

[Confirmation](#)

EG-Konf.

Test Certificates

Marine / Shipping

[Type Test Certificates/Test Report](#)[Special Test Certificate](#)

ABS



LRS



PRS



RINA

Marine / Shipping

other



RMRS

[Environmental Confirmations](#)[Confirmation](#)**Further information**

Information- and Downloadcenter (Catalogs, Brochures,...)

<https://www.siemens.com/ic10>

Industry Mall (Online ordering system)

<https://mall.industry.siemens.com/mall/en/en/Catalog/product?mfb=3SU1000-0AA40-0AA0>

Cax online generator

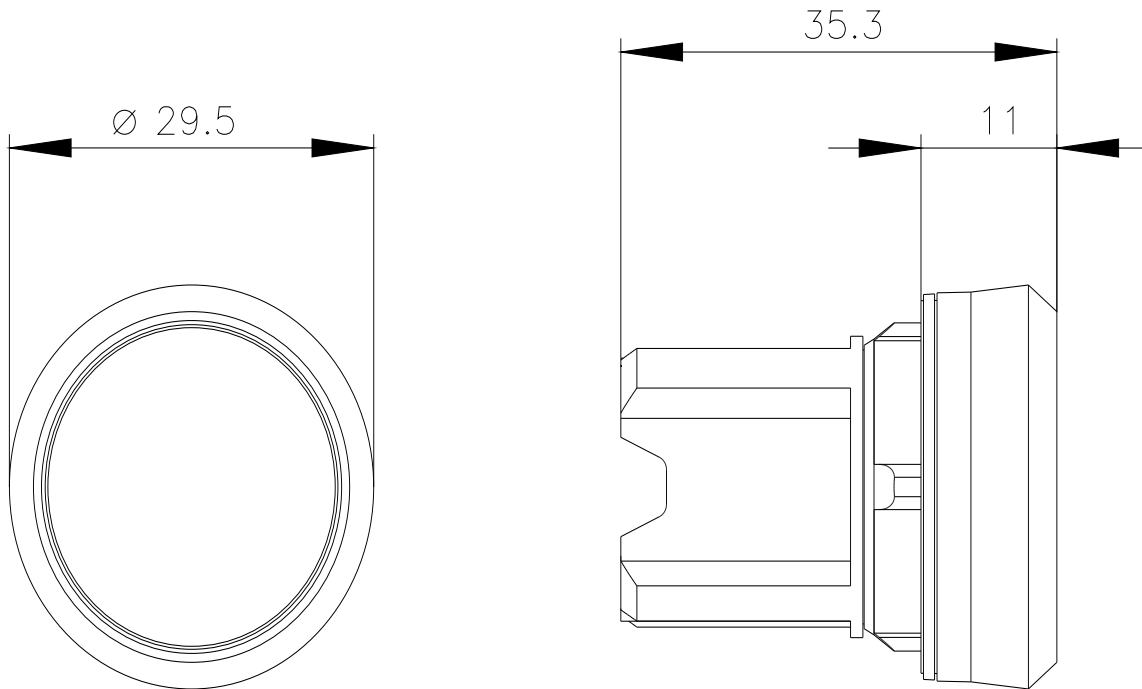
<http://support.automation.siemens.com/WW/CAXorder/default.aspx?lang=en&mfb=3SU1000-0AA40-0AA0>

Service&Support (Manuals, Certificates, Characteristics, FAQs,...)

<https://support.industry.siemens.com/cs/ww/en/ps/3SU1000-0AA40-0AA0>

Image database (product images, 2D dimension drawings, 3D models, device circuit diagrams, EPLAN macros, ...)

http://www.automation.siemens.com/bilddb/cax_de.aspx?mfb=3SU1000-0AA40-0AA0&lang=en



last modified:

1/26/2022 