



Residual current operated circuit breaker, 2-pole, type F, short-time delayed, In: 63 A, 30 mA, Un AC: 230 V

Model	
product brand name	SENTRON
product designation	RCCB
design of the product	Short-time delayed
General technical data	
number of poles	2
size of installation devices / according to DIN 43880	1
mechanical service life (switching cycles) / typical	10 000
short-circuit current / of series fuse / maximum permissible	80 A
short-circuit current rating	10 kA
switching function / short-term delayed	Yes
overvoltage category	III
Supply voltage	
supply voltage / for testing equipment / minimum	195 V
value range / of the supply voltage frequency	50 Hz
value range / of the operating frequency	50/60 Hz
value range / of the supply voltage / at AC	230 V
Protection class	
protection class IP	IP20, if the distribution board is installed, with connected conductors
Switching capacity	
switching capacity current	
• according to IEC 61008-1 / rated value	0.8 kA
Dissipation	
power loss [W]	
• for rated value of the current / at AC / in hot operating state / per pole	5.3 W
• maximum	10.6 W
Current	
tripping fault current / rated value	30 mA
operational current	
• at 40 °C / rated value	63 A
• at 45 °C / rated value	63 A
• at 50 °C / rated value	63 A
• at 55 °C / rated value	63 A
• at 60 °C / rated value	63 A
• at 65 °C / rated value	56.96 A
• at 70 °C / rated value	48.2 A
• at AC / rated value	63 A
residual current type	F

let-through current / permissible	7 100 A
I ² t value / permissible	110 000 A ² ·s
surge current resistance / rated value	3 kA
Product details	
product feature / silicon-free	Yes
product extension / installable / supplementary devices	Yes
Connections	
connectable conductor cross-section / solid	
• minimum	0.75 mm ²
• maximum	35 mm ²
connectable conductor cross-section / stranded	
• minimum	0.75 mm ²
• maximum	35 mm ²
tightening torque / with screw-type terminals	
• minimum	2.5 N·m
• maximum	3 N·m
position / of power supply cord	top or bottom
Mechanical Design	
height	90 mm
width	36 mm
depth	70 mm
installation depth	70 mm
number of modular width units	2
fastening method	DIN rail (REG)
mounting position	any
net weight	200 g
Environmental conditions	
ambient temperature / during operation	
• minimum	-25 °C
• maximum	45 °C
ambient temperature / during storage	
• minimum permissible	-40 °C
• maximum permissible	75 °C
number of test cycles / for environmental testing / according to IEC 60068-2-30	28

General Product Approval
Declaration of Conformity
[Confirmation](#)

[Miscellaneous](#)

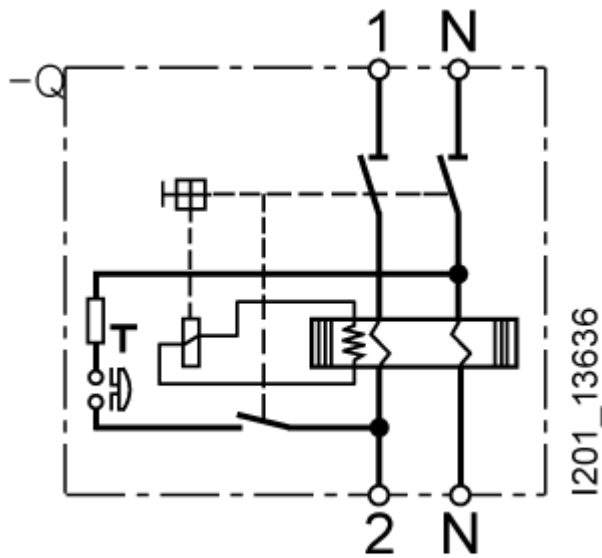
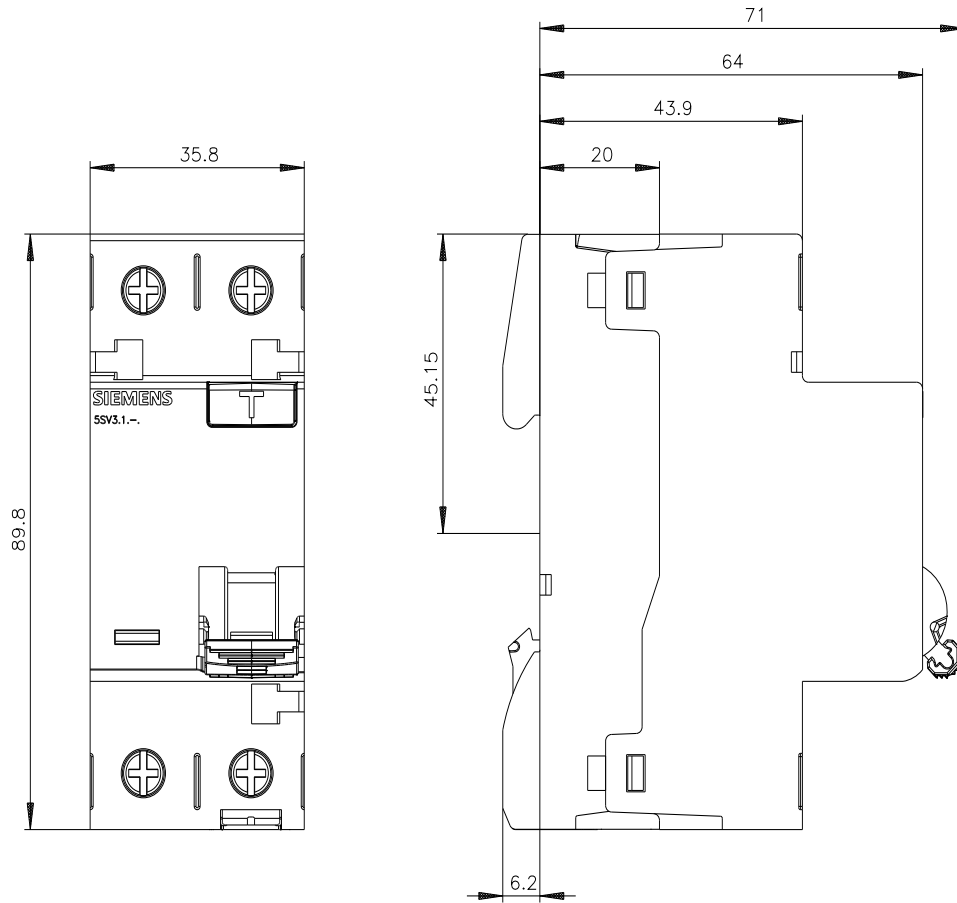
[UK Declaration of Conformity](#)


EG-Konf.

Test Certificates
other
Railway
Dangerous Good
[Miscellaneous](#)
[Miscellaneous](#)
[Vibration and Shock](#)
[Confirmation](#)
[Transport Information](#)
Further information
Information- and Downloadcenter (Catalogs, Brochures,...)
<http://www.siemens.com/lowvoltage/catalogs>
Industry Mall (Online ordering system)
<https://mall.industry.siemens.com/mall/en/en/Catalog/product?mlfb=5SV3316-3>
Service&Support (Manuals, Certificates, Characteristics, FAQs,...)
<https://support.industry.siemens.com/cs/ww/en/ps/5SV3316-3>
Image database (product images, 2D dimension drawings, 3D models, device circuit diagrams, ...)
http://www.automation.siemens.com/bilddb/cax_en.aspx?mlfb=5SV3316-3
CAX-Online-Generator
<http://www.siemens.com/cax>

Tender specifications

<http://www.siemens.com/specifications>



-CB

