



LED module w. indicator lights With integrated LED AC/DC 6-24 V, red-yellow-green, screw terminal, for front plate mounting

product brand name	SIRIUS ACT
product designation	LED module
product type designation	3SU1
General technical data	
product component	
• diode	Yes
• lamp transformer	No
• light source	Yes
• series resistor	No
insulation voltage rated value	320 V
degree of pollution	3
type of voltage of the operating voltage	AC/DC
• for actuation	AC/DC
surge voltage resistance rated value	4 kV
consumed current maximum	40 mA
protection class IP	
• of the enclosure	IP40
• of the terminal	IP20, clamping screw tightened
shock resistance	
• according to IEC 60068-2-27	sinusoidal half-wave 15g / 11 ms
• for railway applications according to EN 61373	Category 1, Class B
vibration resistance	
• according to IEC 60068-2-6	10 ... 500 Hz: 5g
• for railway applications according to EN 61373	Category 1, Class B
operating period typical	100 000 h
reference code according to IEC 81346-2	P
Substance Prohibitance (Date)	10/01/2014
operating voltage 1	
• at AC	
— at 50 Hz rated value	12 V
— at 60 Hz rated value	12 V
• at DC rated value	12 V
relative positive tolerance of the operating voltage	200 %
relative negative tolerance of the operating voltage	50 %
Control circuit/ Control	
inrush current maximum	2 A
Connections/ Terminals	
type of electrical connection	screw-type terminals
type of connectable conductor cross-sections	

<ul style="list-style-type: none"> • solid with core end processing • solid without core end processing • finely stranded with core end processing • finely stranded without core end processing • at AWG cables 	2x (0.5 ... 0.75 mm ²) 2x (1.0 ... 1.5 mm ²) 2x (0.5 ... 1.5 mm ²) 2x (1,0 ... 1,5 mm ²) 2x (18 ... 14)
tightening torque with screw-type terminals	0.8 ... 0.9 N·m

Lamp	
type of light source	LED
color of the light source	red/yellow/ green
certificate of suitability	
<ul style="list-style-type: none"> • ATEX • IECEx 	No No

Ambient conditions	
ambient temperature	
<ul style="list-style-type: none"> • during operation • during storage 	-25 ... +70 °C -40 ... +80 °C
environmental category during operation according to IEC 60721	3M6, 3S2, 3B2, 3K6 (with relative air humidity of 10 ... 95%, no condensation in operation permitted)

Installation/ mounting/ dimensions	
fastening method	
<ul style="list-style-type: none"> • of modules and accessories 	Front plate mounting
height	36 mm
width	9.8 mm
depth	49.7 mm
suitability for integration	
<ul style="list-style-type: none"> • plastic enclosure • metal enclosure 	No No

Certificates/ approvals			
General Product Approval	EMC	Declaration of Conformity	Test Certificates

[Confirmation](#)



[UK Declaration of Conformity](#)

[Type Test Certificates/Test Report](#)

Test Certificates	Marine / Shipping
-------------------	-------------------

[Special Test Certificate](#)



other

[Confirmation](#)

Further information

Information- and Downloadcenter (Catalogs, Brochures,...)

<https://www.siemens.com/ic10>

Industry Mall (Online ordering system)

<https://mall.industry.siemens.com/mall/en/en/Catalog/product?mlfb=3SU1401-1BG24-1AA0>

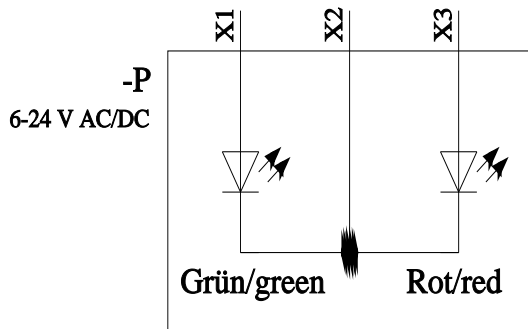
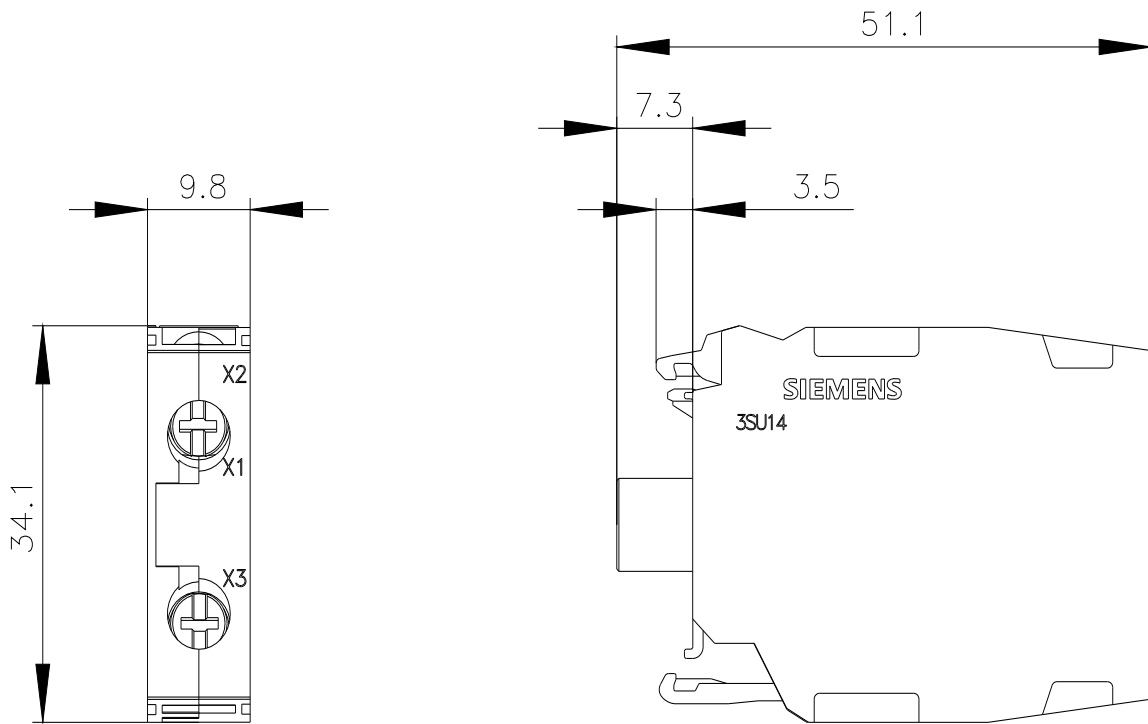
Cax online generator

<http://support.automation.siemens.com/WW/CAXorder/default.aspx?lang=en&mlfb=3SU1401-1BG24-1AA0>

Service&Support (Manuals, Certificates, Characteristics, FAQs,...)

<https://support.industry.siemens.com/cs/ww/en/ps/3SU1401-1BG24-1AA0>

Image database (product images, 2D dimension drawings, 3D models, device circuit diagrams, EPLAN macros, ...)



X1	X2	X3	Farbe/color
X	X		Grün/green
	X	X	Rot/red
X	X	X	Gelb/yellow

