

**MVP12, 4XM12, UNIVERSAL, BASIC HOUSING**

Pins wired 1:1 to terminal

4-way UNIVERSAL

Basic module

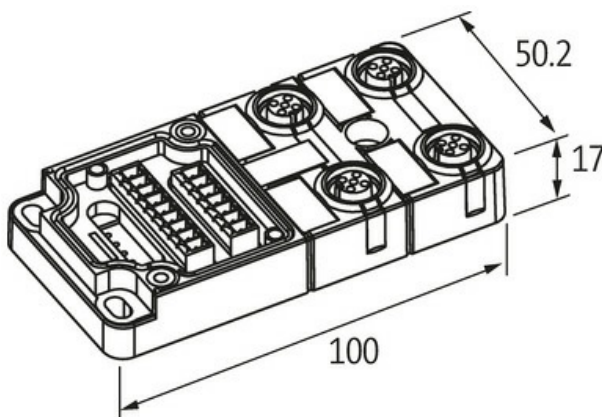
Screw plug-in terminals

Replaces identical product (Art.No. 276624)

Separation contact 5 possible by removable plug links

Plastic housings with good resistance against chemicals and oils.

The resistance to aggressive media should be individually tested for your application. Further details on request.

**[Link to Product](#)****Illustration**

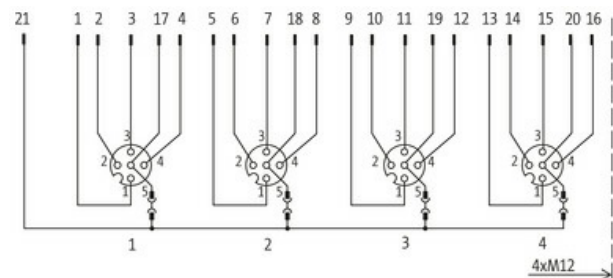
Product may differ from Image

**Technical Data**

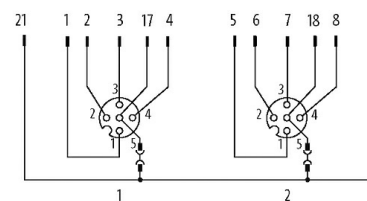
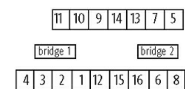
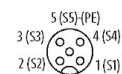
Operating voltage	max. 42 V AC/DC
Operating current per contact	max. 4 A
Protection	IP65/IP67
Housing	Plastic, flame retardant
Total current	max. 8 A

**General data**

Temperature range	-20...+80 °C
-------------------	--------------



M12-Females 5-pole

free arrangeable, contact 1:1 on terminals  
for 5 signals per port, possibility to bridge each PIN5

**Commercial data**

country of origin	DE
customs tariff number	85369010
EAN	4048879353427
eClass	27279219
Packaging unit	1.000