

**M8 male 90° / M8 female 0° A-cod. snap-in**

PUR 3x0.25 gy UL/CSA 1.5m

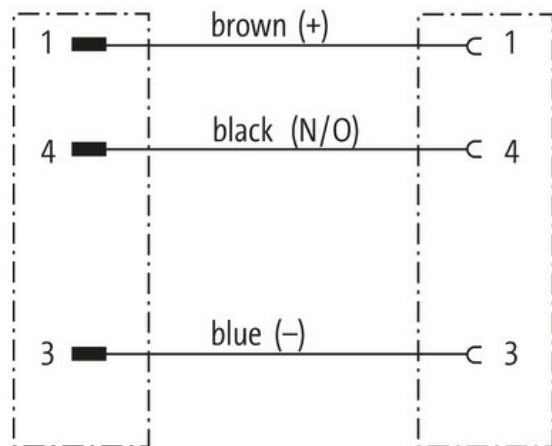
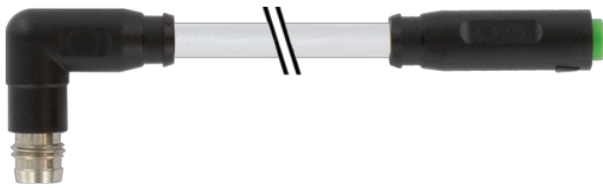
Male 90° – female straight

M8 (Snap In) – M8 (Snap In), 3-pole

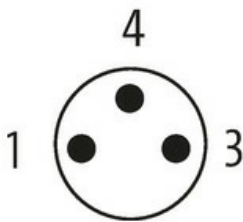
Further cable lengths on request.

Plastic housings with good resistance against chemicals and oils.

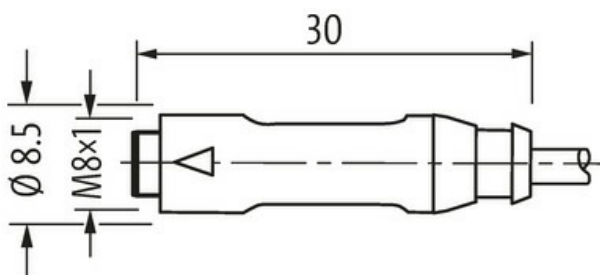
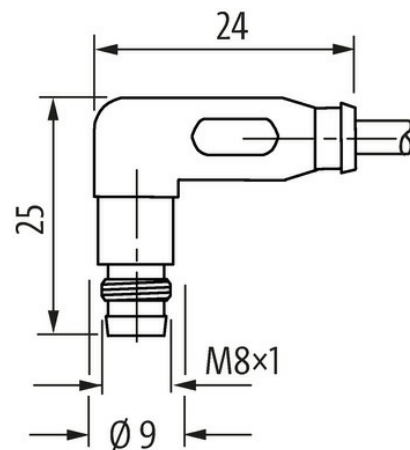
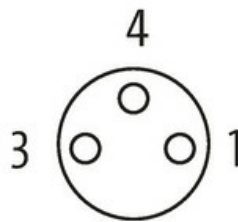
The resistance to aggressive media should be individually tested for your application. Further details on request.

**[Link to Product](#)****Illustration**

Male



Female



Product may differ from Image



\* only for products with UL/CSA approved cable

| Form                                      |  |
|---|--|
| Form                                      | 88181  |
| Technical Data                            |  |
| Operating voltage                         | max. 50 V AC/60 V DC   |
| Operating voltage (only UL listed)        | max. 30 V AC/DC  |
| Rated surge voltage                       | 1.5 kV   |
| Operating current per contact             | max. 4 A   |
| Material group                            | IEC 60664-1, category I  |
| Locking of ports                          | M8 Snap In   |
| Protection                                | IP65 inserted and tightened (EN 60529)   |
| Material                                  | PUR  |
| suitable for corrugated tube (internal Ø) | 6.5 mm   |
| General data                              |  |
| Standards                                 | DIN EN 61076-2-104 (M8)  |
| Pollution Degree                          | 3  |
| Temperature range                         | -25...+85 °C, depending on cable quality   |
| Cables                                    |  |
| Cable identification                      | 220  |
| Cable Type                                | 2 (PUR/PVC)  |
| Approval (cable)                          | UL (AWM-Style 20549/1731), CSA; CE conform   |
| Cable weight [g/m]                        | 26,62 g  |
| Material (wire)                           | Cu wire, bare  |
| Resistor (core)                           | max. 79 Ω/km (20 °C)   |
| Single wire Ø (core)                      | 0.1 mm   |
| Construction (core)                       | 32× 0.1 mm (multi-strand wire class 6)   |
| Diameter (core)                           | 3× 0.25 mm <sup>2</sup>  |
| AWG                                       | similar to AWG 24  |
| Material (wire isolation)                 | PVC  |
| Material property (wire isolation)        | CFC-, cadmium-, silicone- and lead-free  |
| Shore hardness (wire isolation)           | 43 ±5 D  |
| Wire-Ø incl. isolation                    | 1.25 mm ±5%  |
| Color/numbering of wires                  | br, bk, bl   |
| Stranding combination                     | 3 wires twisted  |
| Shield                                    | no   |
| Material (jacket)                         | PUR  |
| Material property (jacket)                | CFC-, halogen-, cadmium-, silicone- and lead-free, matt, low-adhesion, machine easy to process, abrasion-resistant, hydrolysis and microbial resistant |
| Shore hardness (jacket)                   | 85 ±5 A  |
| Outer-Ø (jacket)                          | 4.3 mm ±5%   |
| Color (jacket)                            | gray   |
| chemical resistance                       | good resistance to oil, gasoline and chemicals   |
| Nominal voltage                           | UL 300 V AC  |
| Test voltage                              | 2000 V AC  |
| Current load capacity                     | to DIN VDE 0298-4  |
| Temperature range (fixed)                 | -30...+80 °C   |
| Temperature range (mobile)                | -5...+80 °C  |
| Bend radius (fixed)                       | 10× outer Ø  |
| Bend radius (moving)                      | 15× outer Ø  |

The information in this brochure has been compiled with the utmost care.

Liability for the correctness completeness and topicality of the information is restricted to gross negligence. Version: 03/22

|                                 |                     |
|---------------------------------|---------------------|
| No. of bending cycles (C-track) | max. 2 Mio. (25 °C) |
|---------------------------------|---------------------|

|                        |              |
|------------------------|--------------|
| Travel speed (C-track) | max. 3.3 m/s |
|------------------------|--------------|

|                        |                         |
|------------------------|-------------------------|
| Acceleration (C-track) | max. 5 m/s <sup>2</sup> |
|------------------------|-------------------------|

**Commercial data**

|                   |    |
|-------------------|----|
| country of origin | DE |
|-------------------|----|

|                       |          |
|-----------------------|----------|
| customs tariff number | 85444290 |
|-----------------------|----------|

|                |       |
|----------------|-------|
| Packaging unit | 1.000 |
|----------------|-------|