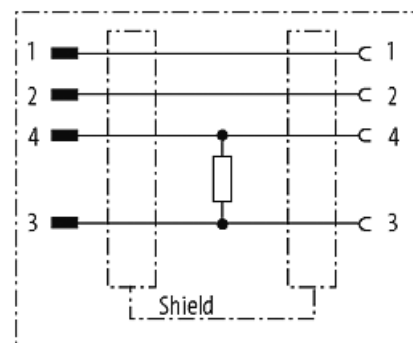
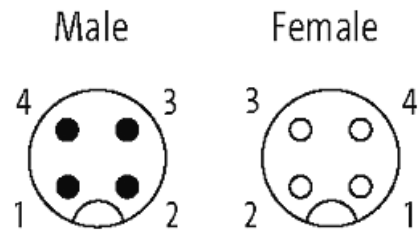
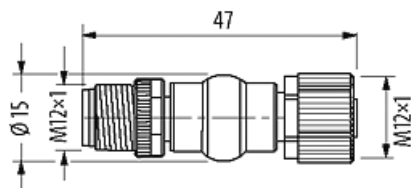


## M12-M12 ADAPTOR,4 POLE U TO I CONVERTER

Adapter  
Male - female  
M12 – M12, 4-pole  
shielded  
Voltage/current converter

### [Link to Product](#)

#### Illustration



Product may differ from Image



#### Form

Form 42252

#### Technical Data

Operating voltage	max. 30 V AC/DC
Operating voltage (only UL listed)	max. 30 V AC/DC
Operating current per contact	max. 4 A
Locking of ports	Screw thread (M12x1 mm) recommended torque 0.6 Nm, self-securing
Protection	IP67 inserted and tightened (EN 60529)
Locking material	Zinc die casting, matte nickel plated
Material	PUR
Application	Voltage/current converter

#### General data

Temperature range	-25...+85 °C
Test isolation voltage	0.8 kV eff/rms

**Commercial data**

country of origin	DE
customs tariff number	85366990
EAN	4048879143172
eClass	27143423
Packaging unit	1