

MSDD-AU7AB 1LED DIREKTANSCHL.F.M.-VENTIL

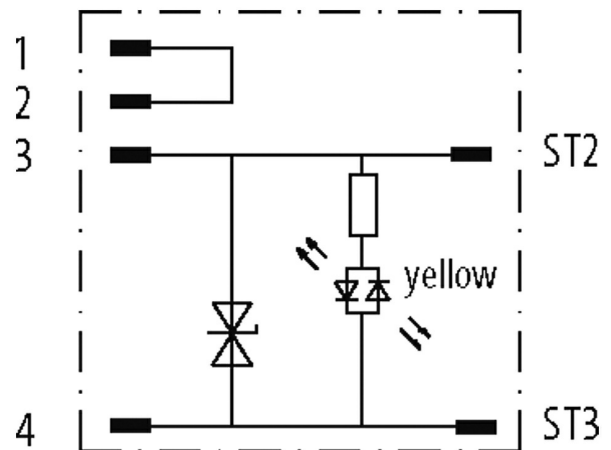
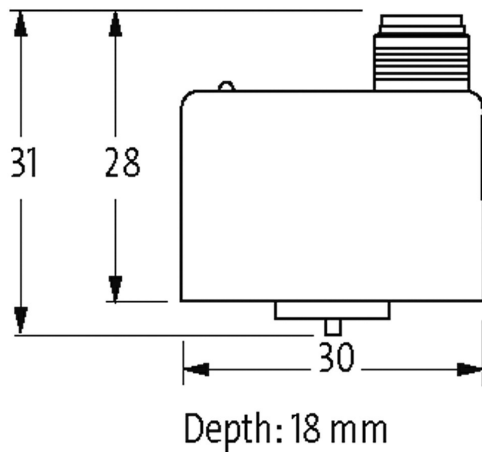
24 V DC

LED and suppressor diode

4-pole

Plastic housings with good resistance against chemicals and oils.

The resistance to aggressive media should be individually tested for your application. Further details on request.

[Link to Product](#)**Illustration**

Male



Product may differ from Image

Technical Data

Operating voltage	24 V DC
Operating current per contact	max. 4 A
Configuration	2 contacts + bridged PE
LED display	yellow
Locking of ports	Screw thread (M12x1 mm) recommended torque 0.6 Nm
Additional suppressor	Suppressor diode

General data

Mounting method	inserted, tightened
Temperature range	-25...+85 °C

Commercial data

country of origin	CZ
-------------------	----

customs tariff number	85366990
EAN	4048879238052
eClass	27143423
Packaging unit	50