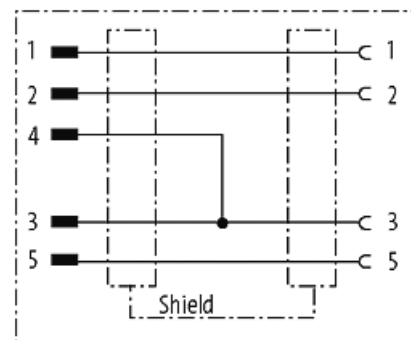
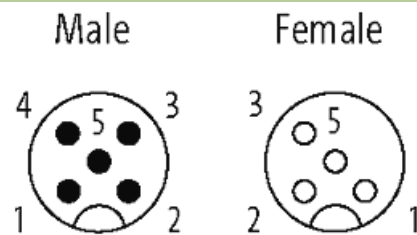
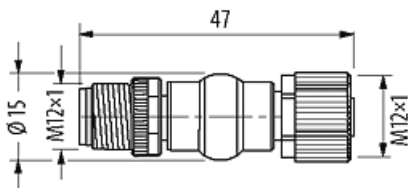


**ADAPTOR M12 MALE 5 POLE/ M12 FEMALE 4 POLE SHIELDED**

For analog sensors

Adapter  
Male - female  
M12 – M12, 5-pole  
shielded

[Link to Product](#)**Illustration**

Product may differ from Image

**Form**

Form 42261

**Technical Data**

Operating voltage	max. 60 V AC/DC
Operating voltage (only UL listed)	max. 30 V AC/DC
Operating current per contact	max. 4 A
Locking of ports	Screw thread (M12×1 mm) recommended torque 0.6 Nm, self-securing
Protection	IP67 inserted and tightened (EN 60529)
Locking material	Zinc die casting, matte nickel plated
Material	PUR

**General data**

Temperature range	-25...+85 °C
Test isolation voltage	0.8 kV eff/rms

**Commercial data**

country of origin	DE
customs tariff number	85366990
EAN	4048879332927
eClass	27143423
Packaging unit	1