

**MVK Pro MPNIO DIO8 IOL8 M12L 5P**

PROFINET, compact module, metal

Digital inputs/outputs

Ethernet 10/100 Mbit/s; M12, D-coded

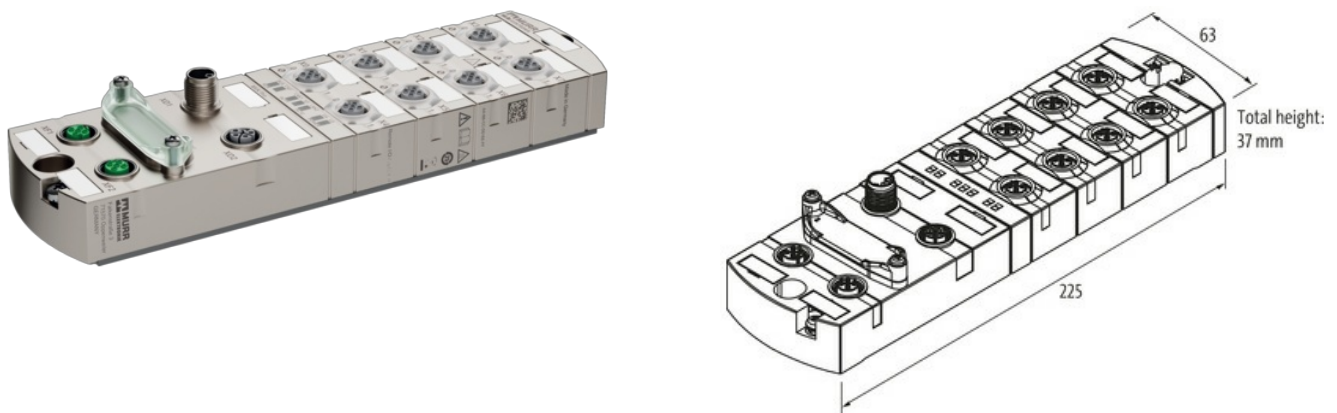
IO-Link Master V1.1.3

M12 Power, 5-pole, L-coded

M12, 5-pole, A-coded

Housing fully potted.

Connection cables are in the online shop under "Connection Technology".

**[Link to Product](#)****Illustration**

Product may differ from Image

**General data**

Mounting method	2-hole screw mounting, compatible with I/O modules of MVK model range
Temperature range	-25...+70 °C (storage temperature -40...+80 °C)
Protection	IP67
Dimensions H×W×D	42×63×225 mm

**Output**

Actuator supply UA	24 V DC (EN 61131-2), max. 10 A Port X0...X7
Switching current per output	max. 2 A per pin (short-circuit and overload-protected), max. 4 A per port

**Input**

Sensor supply US	24 V DC (EN 61131-2), max. 2 A load per port, short-circuit and overload protected, total max. 10 A port X0...X7
Type	for 3-wire sensors or mechanical switches, PNP, IO-Link Devices

**IIoT Functions**

IIoT Interfaces	yes (OPC UA, MQTT, JSON REST API)
Web interface	yes
Monitoring - temperature	yes
Monitoring - energy	yes (current and voltage)

**IO-Link**

Specification	IO-Link Master V1.1.3
Port Class	Class A + B (not galvanically separated)
IO-Link	8× Master
Transfer parameters	32 Byte (In) 32 Byte (Out) per IO-Link port
Operating modes	COM1; COM2; COM3 (automatic)

**Parameterization**

PIN 4 Input/output (port X0...X7); IO-Link master (port X0...X7)

#### Connections

Fieldbus	Ethernet 10/100 Mbit/s; M12, D-coded
Sensor-system/actuator supply	M12 Power, 5-pole, L-coded, 2× max. 16 A
I/O ports	M12, 5-pole, A-coded

#### PROFINET

Specification	V2.3, Conformance Class C (IRT)
Addressing	DCP
PROFINET Netload Class	III
Shared Device	yes, for 2 controls

#### Diagnostic

Communication status	via LED
Diagnostic via LED	per module and channel
Diagnostic via BUS	per module and channel
Actuator warning	per channel via LED and BUS
Monitoring - under voltage	yes
Monitoring - no voltage	yes
Short-circuit and overload	yes
Cable break	per port

#### Commercial data

country of origin	DE
customs tariff number	85389099
EAN	4048879859851
eClass	27242604
Packaging unit	1.000