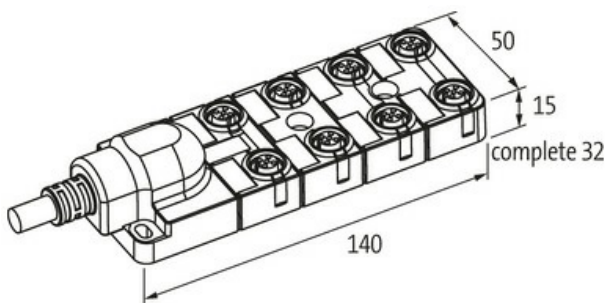
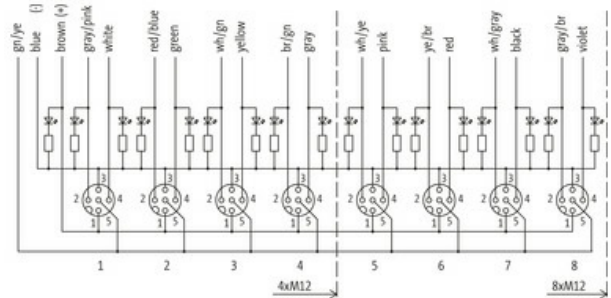


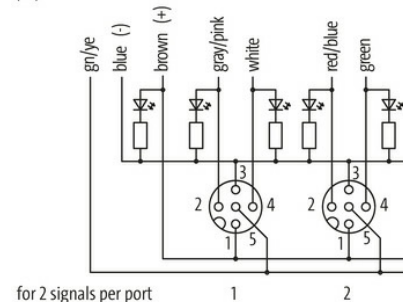
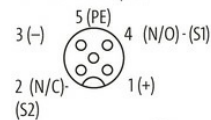
EXACT12, 8XM12, 5-POLE, MOULDED CABLE

3.0m PUR 16x0,5+3x1,0, UL/CSA

3.0 m

[Link to Product](#)**Illustration**

M12-Females 5-pole



Product may differ from Image

**Technical Data**

| | |
|-------------------------------|--------------------------|
| Operating voltage | 24 V DC |
| Operating current per contact | max. 4 A |
| Locking of ports | Screw thread (M12x1 mm) |
| Protection | IP65/IP67 |
| Housing | Plastic, flame retardant |

General data

| | |
|-------------------|--|
| Temperature range | -20...+70 °C, depending on cable quality |
|-------------------|--|

Cables

| | |
|----------------------|---|
| Cable identification | 452 |
| Approval (cable) | cRUus (AWM style 20549/10042); CE compliant |
| Cable weight [g/m] | 231 g |
| Material (wire) | Cu wire, bare |

| | |
|---------------------------------|--|
| Resistor (core) | max. 39 Ω/km (0.5 mm ²); max. 20 Ω/km (1.0 mm ²); (20 °C) |
| Single wire Ø (core) | 0.1 mm |
| Construction (core) | 64× 0.1 mm (0.5 mm ²), 128× 0.1 mm (1.0 mm ²); (multi-strand wire class 6) |
| Diameter (core) | 16× 0.5 + 3× 1.0 mm ² |
| AWG | similar to AWG 20 (0.5 mm ²); similar to AWG 17 (1.0 mm ²) |
| Material (wire isolation) | TPE-E |
| Shore hardness (wire isolation) | 55 ±3 D |
| Wire-Ø incl. isolation | 1.6 mm ±5% (0.5 mm ²); 2.1 mm ±5% (1.0 mm ²) |
| Material (jacket) | PUR |
| Material property (jacket) | CFC-, halogen-, cadmium-, silicone- and lead-free, matt, low-adhesion, machine easy to process, abrasion-resistant, hydrolysis and microbial resistant |
| Shore hardness (jacket) | 94 ±5 A |
| Outer-Ø (jacket) | 11.5 mm ±5% |
| Color (jacket) | gray |
| chemical resistance | good resistance to oil, gasoline and chemicals |
| thermal resistance | flame retardand UL 1581 Section 1090 (H), CSA FT2 / IEC 60332-2-2 |
| Nominal voltage | 300/300 V AC |
| Test voltage | 2000 V AC |
| Current load capacity | to DIN VDE 0298-4 |
| Temperature range (mobile) | -20...+90 °C |
| Bend radius (moving) | 10× outer Ø |
| No. of bending cycles (C-track) | max. 5 Mio. |
| Traversing distance (C-track) | max. 5 m (horizontal) |
| Travel speed (C-track) | max. 2 m/s |
| Acceleration (C-track) | max. 5 m/s ² |

Contact Layout

| | |
|-------|-----------|
| PIN 1 | (+) |
| PIN 2 | (NC)/(S2) |
| PIN 3 | (-) |
| PIN 4 | (NO)/(S1) |
| PIN 5 | (Earth) |

LED (green): Power / LED (yellow): (S1) / LED (white): Signal (S2)

Commercial data

| | |
|-----------------------|---------------|
| country of origin | DE |
| customs tariff number | 85444290 |
| EAN | 4048879053990 |
| eClass | 27143423 |
| Packaging unit | 1.000 |