

**MVP12, 4XM12, UNIVERSAL, SET**

Pins wired 1:1 to terminal

4-way UNIVERSAL

Screw plug-in terminals

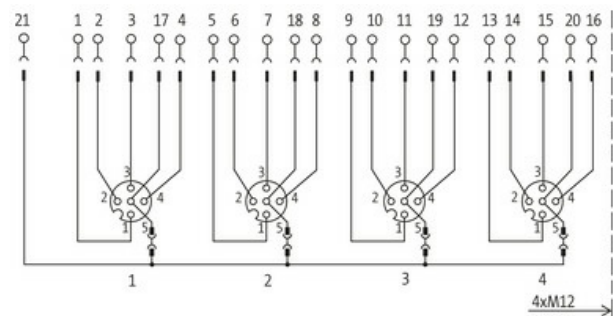
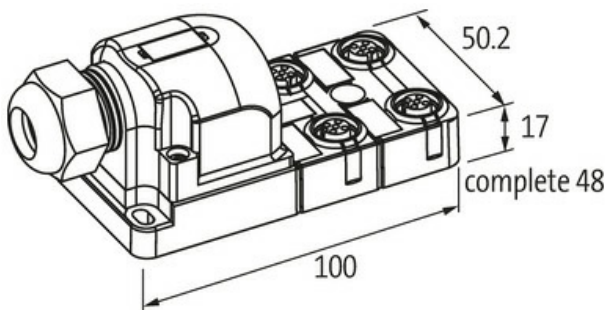
all 5 contacts of the M12 females separately carried on terminals

Replaces identical product (Art.No. 276625)

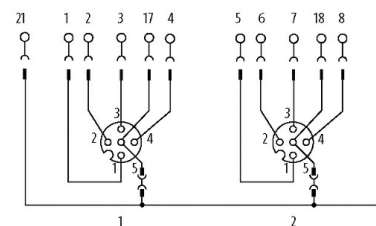
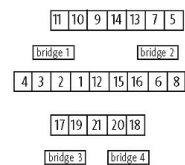
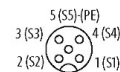
Separation contact 5 possible by removable plug links

Plastic housings with good resistance against chemicals and oils.

The resistance to aggressive media should be individually tested for your application. Further details on request.

**Link to Product****Illustration**

M12-Females 5-pole

free arrangeable, contact 1:1 on terminals  
for 5 signals per port, possibility to bridge each PIN5

Product may differ from Image

**Technical Data**

Operating voltage	max. 42 V AC/DC
Operating current per contact	max. 4 A
Connection	Screw plug-in terminals: max. 1.5 mm <sup>2</sup> (AWG 16)
Protection	IP65/IP67
Housing	Plastic, flame retardant

Total current max. 8 A

**General data**

Temperature range -20...+80 °C

**Contact Layout**

PIN 1 (S1)

PIN 2 (S2)

PIN 3 (S3)

PIN 4 (S4)

PIN 5 (S5)/(Earth)

**Commercial data**

country of origin DE

customs tariff number 85369010

EAN 4048879353434

eClass 27279219

Packaging unit 1.000