



Pushbutton, 22 mm, round, plastic, white, pushbutton, flat, latching, Push-to-release mechanism

|  |                                  |
|--|----------------------------------|
| product brand name                                 | SIRIUS ACT                       |
| product designation                                | Pushbuttons                      |
| design of the product                              | Actuating/signaling element      |
| product type designation                           | 3SU1                             |
| product line                                       | Plastic, black, 22 mm            |
| <b>Enclosure</b>                                   |                                  |
| number of command points                           | 1                                |
| <b>Actuator</b>                                    |                                  |
| design of the actuating element                    | Flat button                      |
| principle of operation of the actuating element    | latching                         |
| product extension optional                         |                                  |
| • light source                                     | No                               |
| • contact module                                   | Yes                              |
| color of the actuating element                     | white                            |
| material of the actuating element                  | plastic                          |
| shape of the actuating element                     | round                            |
| outer diameter of the actuating element            | 29.5 mm                          |
| type of unlocking device                           | push-to-unlatch mechanism        |
| <b>Front ring</b>                                  |                                  |
| product component front ring                       | Yes                              |
| design of the front ring                           | Standard                         |
| material of the front ring                         | plastic                          |
| color of the front ring                            | black                            |
| <b>General technical data</b>                      |                                  |
| protection class IP                                | IP66, IP67, IP69(IP69K)          |
| degree of protection NEMA rating                   | 1, 2, 3, 3R, 4, 4X, 12, 13       |
| shock resistance                                   |                                  |
| • acc. to IEC 60068-2-27                           | sinusoidal half-wave 15g / 11 ms |
| • for railway applications acc. to DIN EN 61373    | Category 1, Class B              |
| vibration resistance                               |                                  |
| • acc. to IEC 60068-2-6                            | 10 ... 500 Hz: 5g                |
| • for railway applications acc. to DIN EN 61373    | Category 1, Class B              |
| operating frequency maximum                        | 1 800 1/h                        |
| mechanical service life (switching cycles) typical | 500 000                          |
| reference code acc. to IEC 81346-2                 | S                                |
| Substance Prohibitance (Date)                      | 01.10.2014                       |
| <b>Ambient conditions</b>                          |                                  |
| ambient temperature                                |                                  |
| • during operation                                 | -25 ... +70 °C                   |

|   |  |
|---|--|
| • during storage  | -40 ... +80 °C   |
| environmental category during operation acc. to IEC 60721 | 3M6, 3S2, 3B2, 3C3, 3K6 (with relative air humidity of 10 ... 95%) |

| Installation/ mounting/ dimensions          |         |
|---|---------|
| height                                      | 29.5 mm |
| width                                       | 29.5 mm |
| shape of the installation opening           | round   |
| mounting diameter                           | 22.3 mm |
| positive tolerance of installation diameter | 0.4 mm  |
| mounting height                             | 11 mm   |
| installation width                          | 29.5 mm |
| installation depth                          | 24.3 mm |

| Certificates/ approvals  |                           |
|--------------------------|---------------------------|
| General Product Approval | Declaration of Conformity |



[Confirmation](#)



[UK Declaration of Conformity](#)



| Test Certificates | Marine / Shipping |
|-------------------|-------------------|
|-------------------|-------------------|

[Special Test Certificate](#)

[Type Test Certificates/Test Report](#)



ABS

LRS

PRS

RINA

| Marine / Shipping | other |
|-------------------|-------|
|-------------------|-------|



[Confirmation](#)

### Further information

Information- and Downloadcenter (Catalogs, Brochures,...)

<https://www.siemens.com/ic10>

Industry Mall (Online ordering system)

<https://mall.industry.siemens.com/mall/en/en/Catalog/product?mlfb=3SU1000-0AA60-0AA0>

Cax online generator

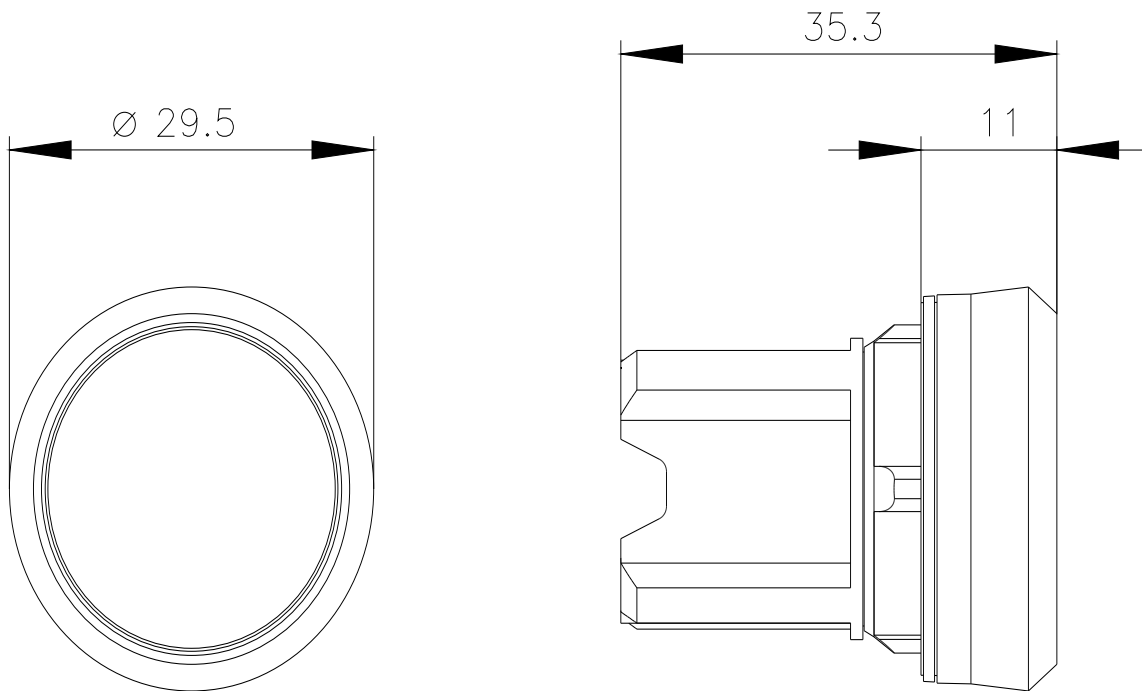
<http://support.automation.siemens.com/WW/CAXorder/default.aspx?lang=en&mlfb=3SU1000-0AA60-0AA0>

Service&Support (Manuals, Certificates, Characteristics, FAQs,...)

<https://support.industry.siemens.com/cs/ww/en/ps/3SU1000-0AA60-0AA0>

Image database (product images, 2D dimension drawings, 3D models, device circuit diagrams, EPLAN macros, ...)

[http://www.automation.siemens.com/bilddb/cax\\_de.aspx?mlfb=3SU1000-0AA60-0AA0&lang=en](http://www.automation.siemens.com/bilddb/cax_de.aspx?mlfb=3SU1000-0AA60-0AA0&lang=en)



last modified:

1/26/2022 