

M12 male 0° / M12 female 0° A-cod. shielded F&B

PVC 0.5+0.25 shielded gy 7.5m

F&B

The resistance to aggressive media should be individually tested for your application. Further details on request. Further cable lengths on request.

Cube67

Male straight – female straight

M12 – M12, 6-pole

shielded

A-coded

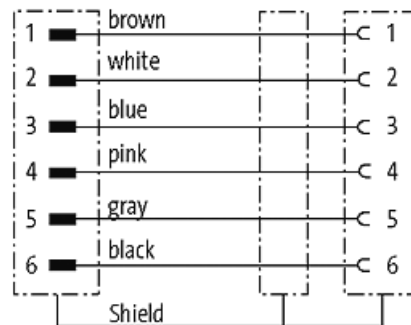
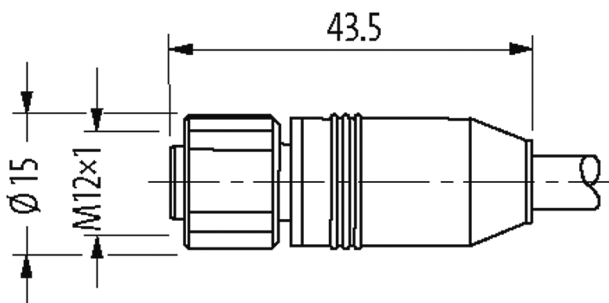
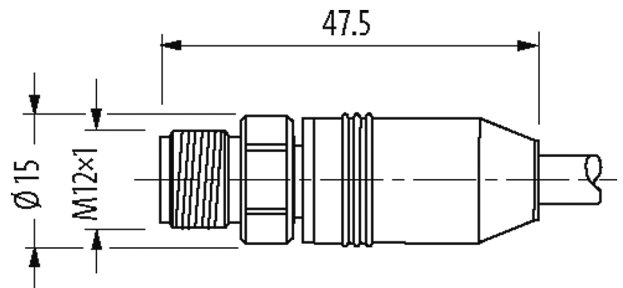
Stainless steel 1.4404 (V4A)

Hybrid cable

Plastic housings with good resistance against chemicals and oils.

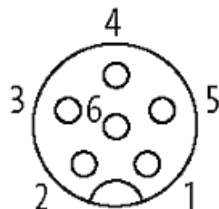
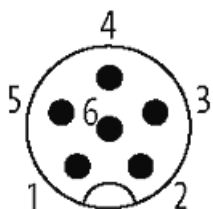
Link to Product

Illustration



Male

Female



Product may differ from Image



| Form | |
|-------------------------------|---|
| Form | 46041 |
| Technical Data | |
| Operating voltage | max. 30 V AC/DC |
| Rated surge voltage | 0.8 kV |
| Operating current per contact | max. 4 A |
| No. of poles | 6 |
| Material group | IEC 60664-1, category I |
| Coding | A-coded |
| LED display | no |
| Locking of ports | Screw thread (M12×1 mm) recommended torque 0.6 Nm, self-securing |
| Compression gland | M12 (SW14) |
| Protection | IP65, IP68 inserted and tightened (EN 60529) |
| Material | PUR |
| Locking material | Stainless steel 1.4404 (V4A) |
| General data | |
| Mounting method | inserted, tightened |
| Material (contact) | Copper alloy |
| Material (contact surface) | Au |
| Material (gasket) | FKM |
| Pollution Degree | 3 |
| Temperature range | -25...+85 °C, depending on cable quality |
| Cables | |
| Cable identification | 522 |
| Approval (cable) | CE conform |
| Cable weight [g/m] | 104,50 |
| Material (wire) | Cu wire, bare |
| Resistor (core) | max. 34 Ω/km (20 °C, 0.5 mm ²); max. 75 Ω/km (20 °C, 0.25 mm ²) |
| Single wire Ø (core) | 0.15 mm (0.5 mm ²); 0.1 mm (0.25 mm ²) |
| Construction (core) | 28× 0.15 mm (0.5 mm ²); 32× 0.1 mm (0.25 mm ²); (multi-strand wire class 6) |
| Diameter (core) | 4× 0.5 + 2× 0.25 mm ² |
| AWG | similar to AWG 20 (0.5 mm ²); similar to AWG 24 (0.25 mm ²) |
| Material (wire isolation) | TPE-E |
| Wire-Ø incl. isolation | 1.5 mm ±5% (0.5 mm ²); 1.4 mm ±5% (0.25 mm ²) |
| Color/numbering of wires | (bl, wh, br, bk) + (gr, pk) |
| Shield | yes |
| optical shield cover | min. 80% |
| Material (jacket) | PVC |
| Outer-Ø (jacket) | 7.9 mm ±5% |
| Color (jacket) | gray |
| Nominal voltage | 500 V AC |
| Temperature range (fixed) | -30...+90 °C |
| Temperature range (mobile) | -5...+70 °C |
| Bend radius (fixed) | 5× outer Ø |
| Bend radius (moving) | 10× outer Ø |
| Traversing distance (C-track) | max. 5 m (horizontal) |
| Travel speed (C-track) | max. 2 m/s |

| | |
|------------------------|-------------------------|
| Acceleration (C-track) | max. 2 m/s ² |
| Jacket Color | gray |
| Commercial data | |
| country of origin | DE |
| customs tariff number | 85444290 |
| EAN | 4048879718110 |
| eClass | 27061801 |
| Packaging unit | 1 |