

MVP12, 4XM12, 4POLE, PLUGGABLE CABLE

15.0m PUR/PVC 4x0,34+3x0,75

4-way, 4-pole

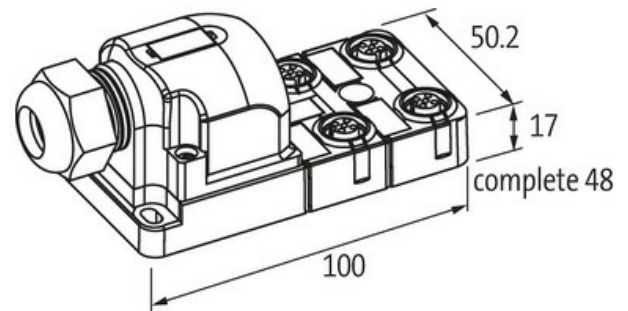
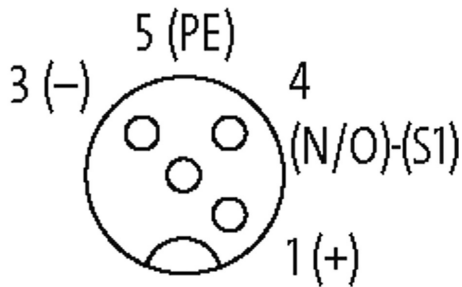
PUR/PVC

15.0 m

with LED for digital PNP-signals 24 V DC

Further cable lengths on request.

Plastic housings with good resistance against chemicals and oils.

[Link to Product](#)**Illustration****M12 Females 4-pole**

Product may differ from Image

**Technical Data**

Operating voltage	24 V DC $\pm 25\%$
Operating current per contact	max. 4 A
Locking of ports	Screw thread (M12x1 mm)
Protection	IP65 and IP67 when plugged and screwed down (EN 60529)
Material	PBT
Housing	Plastic, flame retardant
Signal per port	1 - (31-32)
Total current	max. 8 A

General data	
Temperature range	-20...+80 °C
Dimensions HxWxD	100x50.2x17 mm
Cables	
No./diameter of wires	4x 0.34 + 3x 0.75 mm ²
Wire isolation	PVC
C-track properties	2 Mio.
Outer Ø	7.4 mm ±5%
Cable identification	333
Cable Type	2 (PUR/PVC)
Cable number	333
Approval (cable)	UL (AWM-Style 21441/10955), CE conform
Cable weight [g/m]	91,3 g
Material (wire)	Cu wire, bare
Resistor (core)	max. 57 Ω/km (0.34 mm ²), max. 26 Ω/km (0.75 mm ²); (20 °C)
Single wire Ø (core)	0.15 mm (0.34 mm ²); 0.2 mm (0.75 mm ²)
Construction (core)	19x 0.15 mm (0.34 mm ²); 24x 0.2 mm (0.75 mm ²); (multi-strand wire class 5)
Diameter (core)	4x 0.34 + 3x 0.75 mm ²
AWG	similar to AWG 22 (0.34 mm ²); similar to AWG 18 (0.75 mm ²)
Material (wire isolation)	PVC
Material property (wire isolation)	CFC-, cadmium-, silicone- and lead-free
Shore hardness (wire isolation)	43 ±5 D
Wire-Ø incl. isolation	1.3 mm ±5% (0.34 mm ²); 1.8 mm ±5% (0.75 mm ²)
Color/numbering of wires	wh, gn, ye, gr+br, bl, gnye longitudinally striped
Shield	no
Material (jacket)	PUR/PVC
Shore hardness (jacket)	87 ±5 A
Outer-Ø (jacket)	7.4 mm ±5%
Color (jacket)	gray
Jacket Color	gray
chemical resistance	good resistance to oil, gasoline and chemicals (EN 60811-404)
Nominal voltage	U0/U 300/300 V AC
Test voltage	2000 V AC
Current load capacity	to DIN VDE 0298-4
Temperature range (fixed)	-30...+80 °C
Temperature range (fixed)	-30...+80 °C
Temperature range (mobile)	-5...+70 °C
Temperature range (mobile)	-5...+70 °C
Bend radius (fixed)	5x outer Ø
Bend radius (moving)	12x outer Ø
Bend radius (moving)	12x outer Ø
No. of bending cycles (C-track)	max. 2 Mio. (25 °C)
Travel speed (C-track)	max. 2 m/s
Acceleration (C-track)	max. 10 m/s ²
Material (jacket)	PUR/PVC
Commercial data	
country of origin	CZ
customs tariff number	85444290
EAN	4048879064637
eClass	27279219
Packaging unit	1.000