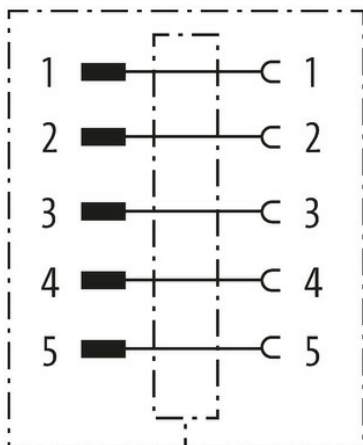
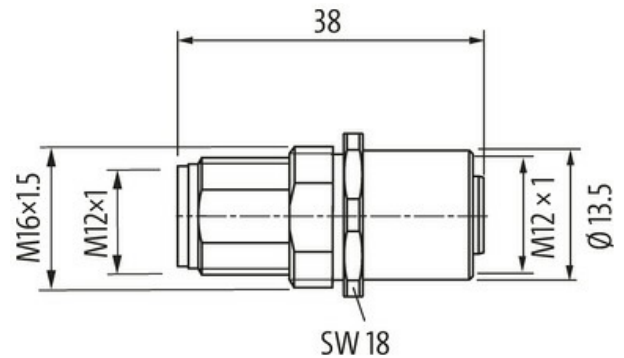


M12-PANEL FEED THROUGH 5POLE A-COD

Adapter
Male - female
M12 – M12, 5-pole
shielded

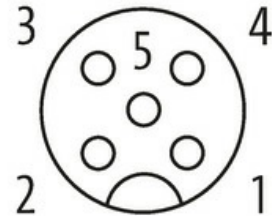
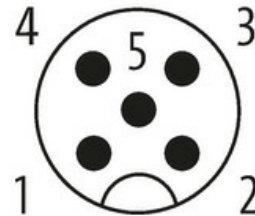
[Link to Product](#)

Illustration



Male

Female



Product may differ from Image

Technical Data

Operating voltage	max. 60 V AC/DC
Rated surge voltage	1.5 kV
Operating current per contact	max. 4 A
Locking of ports	Screw thread (M12×1 mm) recommended torque 0.6 Nm, self-securing
Protection	IP65 and IP67 when plugged and screwed down (EN 60529)
Material	Brass, nickel plated

General data

Temperature range	-25...+85 °C
-------------------	--------------

Commercial data

country of origin	CZ
customs tariff number	85366990
EAN	4048879254854
eClass	27279218

Packaging unit

1.000