

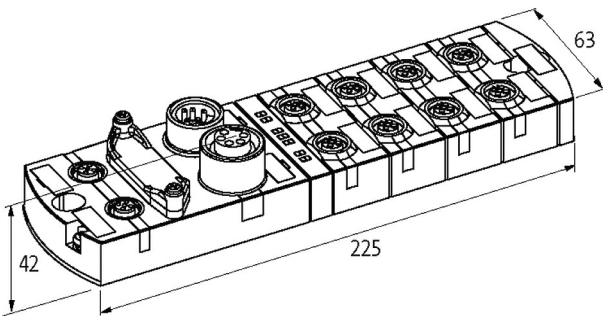
Cube67 Diagnostic Gateway

Diagnosis made easy, Simple system overview

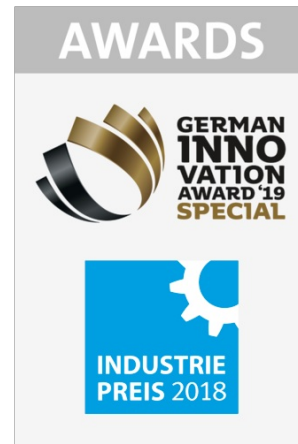
Cube67
Diagnostic gateway
Ethernet TCP/IP

[Link to Product](#)

Illustration



Product may differ from Image



General data

Mounting method	2-hole screw mounting
Temperature range	0...+55 °C (storage temperature -25...+70 °C)
Protection	IP67
Dimensions H×W×D	42×63×225 mm

Module supply

Operating voltage	24 V DC ±25%
Current consumption	max. 200 mA

Cube system

Cube67 system connection	yes
--------------------------	-----

Connections

Fieldbus	2× M12 (female), D-coded
----------	--------------------------

Supply	2× 7/8" (male/female), 5-pole
--------	-------------------------------

Internal system connection	8× M12 (female), 6-pole
----------------------------	-------------------------

Protection

Reverse polarity protection module	yes
------------------------------------	-----

Over voltage protection	yes
-------------------------	-----

Commercial data

country of origin	DE
-------------------	----

customs tariff number	85389099
-----------------------	----------

EAN	4048879652216
-----	---------------

eClass	27242608
--------	----------

Packaging unit	1.000
----------------	-------