

A3 female 5-pole, crimp t., 400 V, 16 A

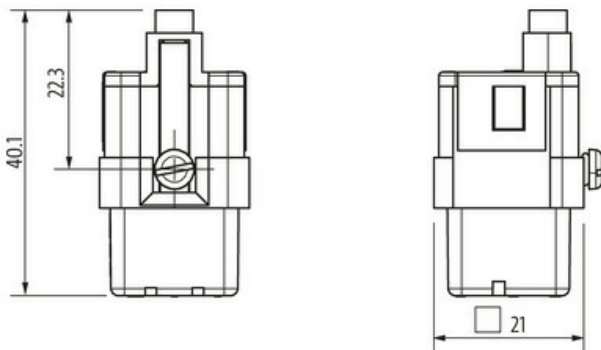
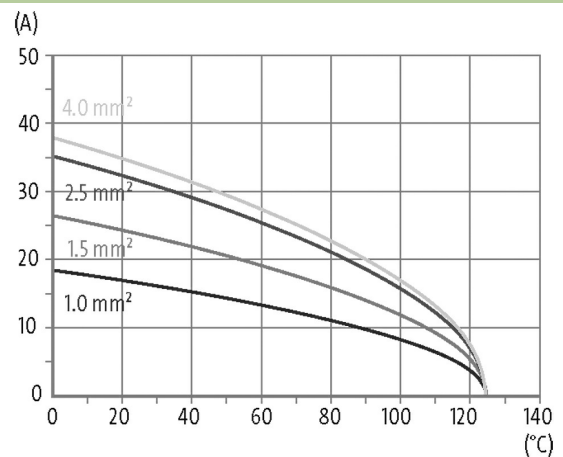
A3

Female

5-pole

Crimp

Technical data will be only guaranteed with Murrelektronik components.

[Link to Product](#)**Illustration**

Product may differ from Image

**Technical Data**

Operating voltage	400 V AC/DC (PIN - PIN); 230 V AC/DC (PIN - PE)
Rated surge voltage	6.0 kV
Operating current	16 A
No. of poles	5 + PE
Material group	IIIa
Mating cycles	min. 500
Connection	Crimp
Connection cross section	0.5...4 mm² (AWG 20...11)
Holding force	> 100 N

Insertion and withdrawal force	< 100 N
Isolation resistance	$\geq 10^8 \Omega$
Contact resistance	$\leq 5 \text{ m}\Omega$
Over voltage category	III
Wire-Ø incl. isolation	max. 4.6 mm

General data

Material (contact)	Brass
Material (contact surface)	Ag Au
Pollution Degree	3
Temperature range	-40...+125 °C
Material (contact carrier)	PC GF
Flammability class	V-0 (acc. to UL 94)
Size	A3
Type	Female
Climatic category	40/125/10
Dimensions H×W×D	40.1×21×21 mm

Cables

Current load capacity	see derating curve
-----------------------	--------------------

Commercial data

country of origin	CZ
customs tariff number	85366990
EAN	4048879637619
eClass	27143424
Packaging unit	1.000