

MVK MPNIO DI8 DO8 galvanic separation

MVK PROFINET compact module, metal

Digital inputs/outputs

DI8 DO8 (IRT)

Ethernet 10/100 Mbit/s; M12, D-coded

7/8", 5-pole, max. 9 A, protection against reverse polarization

M12, 5-pole, A-coded

FSU (Fast-Start-Up)

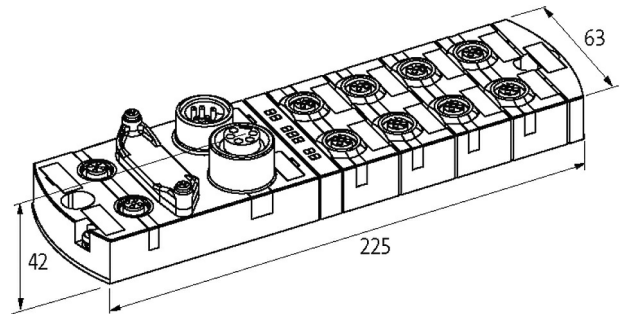
Galvanic isolation

Connection cables are in the online shop under "Connection Technology".

Housing fully potted.

Link to Product

Illustration



Product may differ from Image



General data

Mounting method	2-hole screw mounting
Temperature range	-25...+55 °C (storage temperature -25...+70 °C)
Protection	IP67
Dimensions HxWxD	39x63x225 mm

Output

Actuator supply UA	24 V DC (EN 61131-2), max. 9 A
Switching current per output	max. 2 A (short-circuit and overload protected)

Input

Sensor supply US	24 V DC (EN 61131-2), max. 200 mA (M12 female), short-circuit and overload protected
Type	for 3-wire sensors or mechanical switches, PNP

Parameterization

PIN 4	Input (port 4...7); Output (port 0...3)
PIN 2	Input (port 4...7); Output (port 0...3)

Connections

Fieldbus	Ethernet 10/100 Mbit/s; M12, D-coded
Sensor-system/actuator supply	7/8", 5-pole, max. 9 A, protection against reverse polarization
I/O ports	M12, 5-pole, A-coded

PROFINET

Specification	V2.3, Conformance Class C (IRT)
---------------	---------------------------------

Addressing	DCP
FSU (Fast-Start-Up)	max. 500 ms
PROFINET Netload Class	III
MRP	yes
Shared Device	yes, for 2 controls

Diagnostic

Communication status	via LED
Diagnostic via LED	per module and channel
Diagnostic via BUS	per module and channel
Actuator warning	per channel via LED and BUS
Monitoring - under voltage	yes
Monitoring - no voltage	yes
Short-circuit and overload	yes
Cable break	per port

Commercial data

country of origin	DE
customs tariff number	85389099
EAN	4048879798983
Packaging unit	1.000