

MVP12, 4XM12, UNIVERSAL

Universal distr.box, pins 1:1 to term.

4-way UNIVERSAL

Spring clamp plug-in terminals

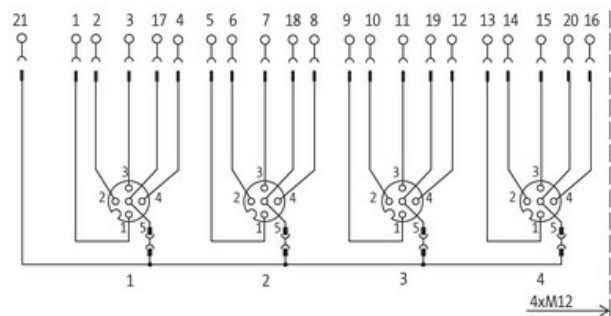
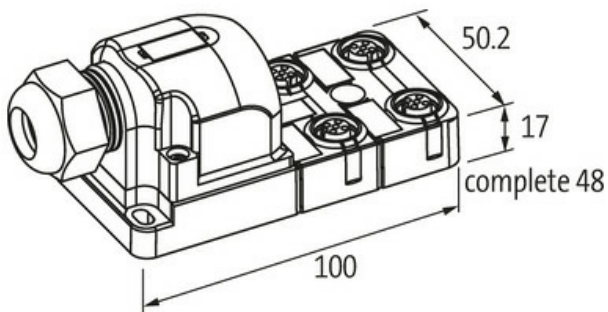
all 5 contacts of the M12 females separately carried on terminals

Replaces identical product (Art.No. 277303)

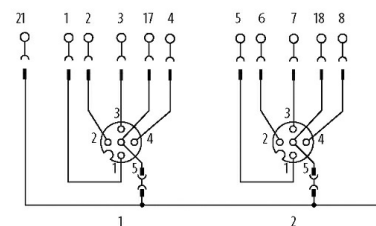
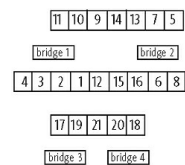
Separation contact 5 possible by removable plug links

Plastic housings with good resistance against chemicals and oils.

The resistance to aggressive media should be individually tested for your application. Further details on request.

Link to Product**Illustration**

M12-Females 5-pole



free arrangeable, contact 1:1 on terminals
for 5 signals per port, possibility to bridge each PIN5

Product may differ from Image

**Technical Data**

Operating voltage	max. 42 V AC/DC
Operating current per contact	max. 4 A
Connection	Spring clamp plug-in terminals: max. 1.5 mm ² (AWG 16)
Protection	IP65/IP67
Housing	Plastic, flame retardant
Total current	max. 8 A

The information in this brochure has been compiled with the utmost care.
Liability for the correctness completeness and topicality of the information is restricted to gross negligence. Version: 03/22

General data

Temperature range	-20...+80 °C
-------------------	--------------

Commercial data

country of origin	DE
customs tariff number	85369010
EAN	4048879353366
eClass	27279219
Packaging unit	1.000