

M12 male 0°/ M12 female recept. A-cod. shielded

PVC AWG24+22 shielded gn UL/CSA+drag ch. 7.5m

Ethernet CAT5

Male straight – flange female straight

M12 – M12, 8-pole

shielded

Further cable lengths on request.

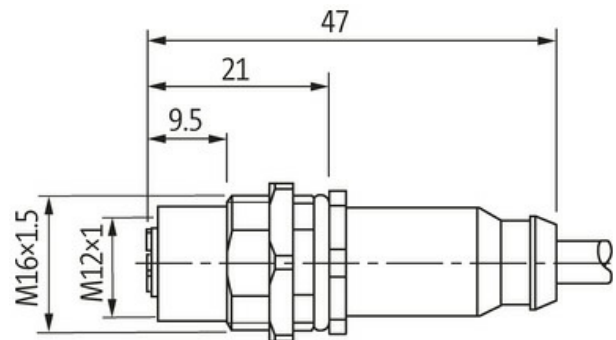
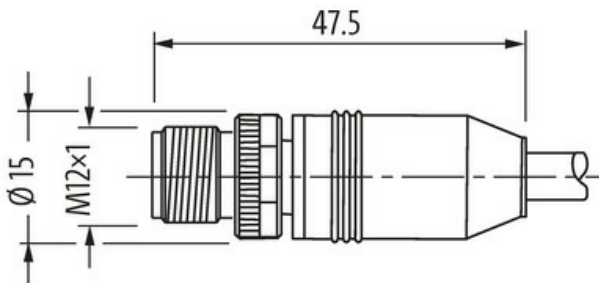
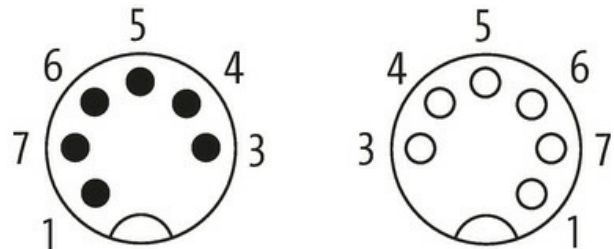
Plastic housings with good resistance against chemicals and oils.

The resistance to aggressive media should be individually tested for your application. Further details on request.

[Link to Product](#)**Illustration**

Male

Female



Product may differ from Image

EtherNet/IP

EtherCAT

Form

Form SS085

Technical Data

Operating voltage	max. 30 V AC/DC
Rated surge voltage	0.8 kV
Operating current per contact	max. 2 A
Transfer parameters	CAT5, Class D (ISO/IEC 11801:2002), (EN 50173-1)
Transfer rate	up to 100 Mbit/s full duplex
Material group	IEC 60664-1, category I

Coding	A-coded
Locking of ports	Screw thread (M12×1 mm) recommended torque 0.6 Nm, self-securing
Compression gland	M12 (SW13)
Protection	IP67 inserted and tightened (EN 60529)
Protection NEMA	3, 4, 6P (UL 50E)
Material	PUR
Locking material	Zinc die casting, matte nickel plated

General data

Pollution Degree	3
Temperature range	-25...+85 °C, depending on cable quality

Cables

No./diameter of wires	2× 2× AWG24 + 1× 2× AWG22
Wire isolation	PE (gnye, pkbl, rdbk)
C-track properties	0.1 Mio.
Outer Ø	6.9 mm ±5%
Cable number	881
Shield	yes
Jacket Color	green
Temperature range (fixed)	-20...+70 °C
Temperature range (mobile)	-5...+70 °C
Bend radius (fixed)	5× outer Ø
Bend radius (moving)	20× outer Ø
Torsion stress	±30°/m
Material (jacket)	PVC (UL/CSA)

Commercial data

country of origin	DE
customs tariff number	85444290
EAN	4048879618250
eClass	27061801
Packaging unit	1.000