

MOSA VALVE PLUG FORM BI 11MM FIELD-WIREABLE (IDC)

Form BI (11 mm)

24 V AC/DC $\pm 25\%$

LED and suppressor diode

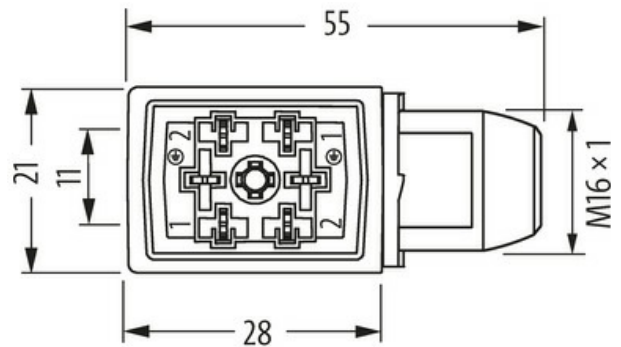
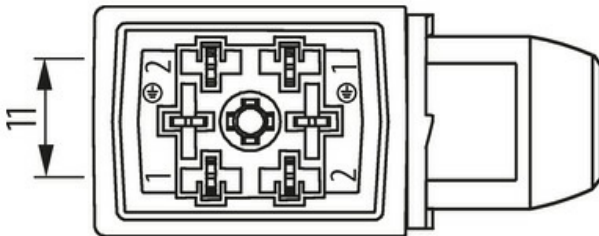
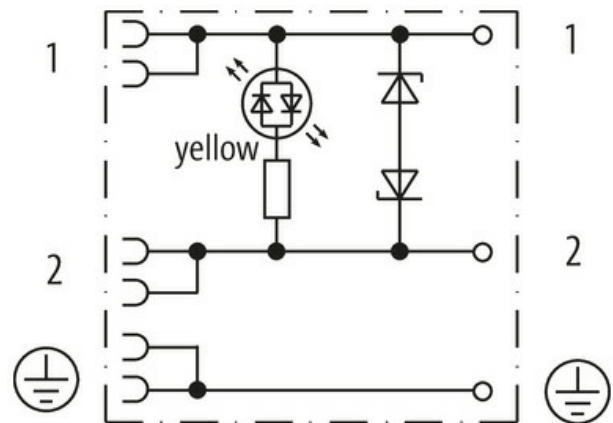
IDC terminals

Plastic housings with good resistance against chemicals and oils.

The resistance to aggressive media should be individually tested for your application. Further details on request.

[Link to Product](#)

Illustration



Height: 28 mm

Product may differ from Image

Form

Form 11121

Technical Data

Operating voltage	24 V AC/DC $\pm 25\%$
Operating current per contact	max. 6 A
Switch off peak	max. 53 V
Connection cross section	0.5...1.0 mm ² (conductor diameter min. 0.1 mm)
Sealing range (cable \varnothing)	5.5...8 mm
Protection	IP67 inserted and tightened (EN 60529)
Outer wire \varnothing	1.6...2.0 mm

General data

Temperature range -25...+85 °C

Mounting set	M16×1 mm
Dimensions H×W×D	28×21×55 mm

Commercial data

country of origin	DE
customs tariff number	85366990
EAN	4048879219853
eClass	27279221
Packaging unit	1.000