



Main

| | |
|------------------------------|-------------------------------|
| Range of product | Harmony XALF |
| Product or component type | Hoistway box |
| Device short name | XALF |
| Product specific application | Lift inspection |
| Operator profile | 1 flush pushbutton |
| Operator description | Black bell symbol 1 NO + 1 NC |
| Contacts operation | Slow-break |

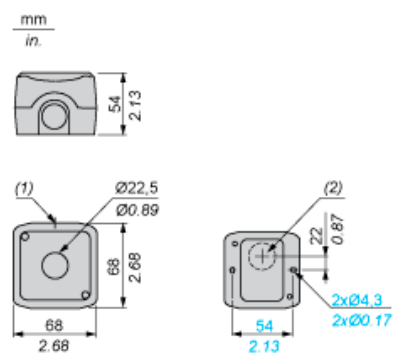
Complementary

| | |
|-------------------|----------------------|
| Material | Polycarbonate |
| Product weight | 0.14 kg |
| Marking | CE |
| Contacts material | Silver alloy (Ag/Ni) |

Environment

| | |
|---------------------------------------|---|
| Protective treatment | TH |
| Ambient air temperature for storage | -40...70 °C |
| Ambient air temperature for operation | 0...50 °C |
| Standards | EN 81-1 EN/IEC 60947-1 EN/IEC 60947-5-1 EN/IEC 60947-5-4 EN/IEC 60947-5-5 |

Dimensions



- (1) 2 knock-outs for Pg 13.5 cable gland, maximum capacity 12 mm / 0.47 in.
- (2) Knock-out for cable entry, maximum capacity 14 mm / 0.55 in.