



Main

Range of product	Harmony XAC
Product or component type	Pendant control station
Control station name	XACD
Control station type	Double insulated
Enclosure material	Polypropylene
Control type	Intuitive
Electrical circuit type	Power circuit
Enclosure type	Complete ready for use
Control station application	Control of 2-speed hoist motor
Motor starter type	Reversing
Control station composition	1 2-directional button
Control button type	Second direction button 1 NO (brake), 2-pole lower, slow-fast First direction button 1 NO (brake), 2-pole raise, slow-fast
Contact block name	XEDS3241 for reversing operation
Mechanical interlocking	With mechanical interlocking

Complementary

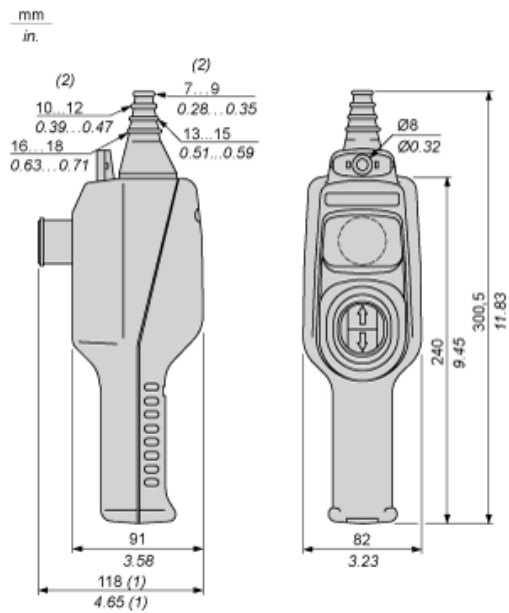
Control station colour	Yellow
Connections - terminals	Screw clamp terminals, connection capacity: 2 x 1.5 mm ² with or without cable end Screw clamp terminals, connection capacity: 1 x 2.5 mm ² with or without cable end
Mechanical durability	3000000 cycles
Cable entry	Rubber sleeve with stepped entry, cable outer diameter: 7...18 mm
[Ithe] conventional enclosed thermal current	16 A
[Ui] rated insulation voltage	500 V (degree of pollution: 3) conforming to IEC 60947-1
[Uimp] rated impulse withstand voltage	6 kV conforming to IEC 60947-1
Contacts operation	Snap action
Operating force	31 N
Short circuit protection	<= 6 A fuse protection by cartridge fuse type aM
Rated operational power in W	2200 W AC-4 at 400 V conforming to IEC 60947-3 appendix A 2200 W AC-3 at 400 V conforming to IEC 60947-3 appendix A
Electrical durability	1000000 cycles AC-4, 2200 W at 400 V, operating rate = 10 cyc/mn, load factor = 0.4 conforming to IEC 60947-3 appendix A 1000000 cycles AC-3, 2200 W at 400 V, operating rate = 10 cyc/mn, load factor = 0.4 conforming to IEC 60947-3 appendix A
Terminals description ISO n°1	(11-12)P (1-2)P (13-14)NO (15-16)NO (3-4)P (5-6)P (7-8)P (9-10)P (R1-R2)RP (R3-R4)RP
Terminal identifier	(11-12)NC (13-14)NO
Product weight	0.355 kg

The information provided in this documentation contains general descriptions and/or technical characteristics of the performance of the products contained herein. This documentation is not intended as a substitute for and is not to be used for determining suitability or reliability of these products for specific user applications. It is the duty of any such user or integrator to perform the appropriate and complete risk analysis, evaluation and testing of the products with respect to the relevant specific application or use thereof. Neither Schneider Electric Industries SAS nor any of its affiliates or subsidiaries shall be responsible or liable for misuse of the information contained herein.

Environment

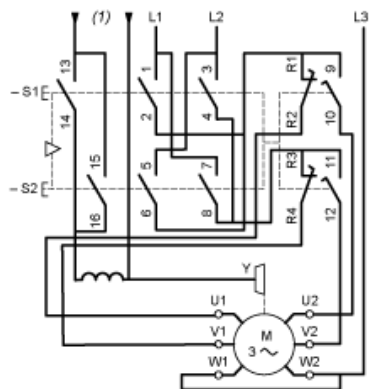
Standards	EN/IEC 60204-32 EN/IEC 60947-5-1 UL 508 CSA C22.2 No 14
Protective treatment	TH
Ambient air temperature for operation	-25...70 °C
Ambient air temperature for storage	-40...70 °C
Vibration resistance	15 gn (f = 10...500 Hz) conforming to IEC 60068-2-6
Shock resistance	70 gn conforming to IEC 60068-2-27
Class of protection against electric shock	Class II conforming to IEC 61140
IP degree of protection	IP65 conforming to IEC 60529
IK degree of protection	IK08 conforming to EN 50102

Dimensions



- (1) With trigger action latching Ø 30 mm / 1.18 in. Emergency stop.
(2) Internal Ø

Control of 2-Speed Reversing Motor 2-Phase Switching



(1) Brake supply.