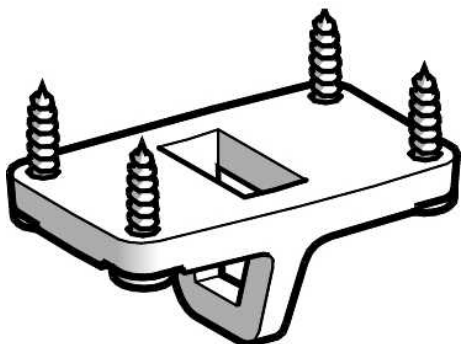


XACA971

lower support ring - XAC-A - for double insulated pendant control station



Main

Range of product	Harmony XAC
Accessory / separate part designation	Lower support ring
Accessory / separate part type	Support ring
Accessory / separate part category	Mounting and fixing accessories
Product compatibility	XACA.
Accessory / separate part destination	Double insulated pendant control station

Complementary

Product weight	0.01 kg
----------------	---------

The information provided in this documentation contains general descriptions and/or technical characteristics of the performance of the products contained herein. This documentation is not intended as a substitute for and is not to be used for determining suitability or reliability of these products for specific user applications. It is the duty of any such user or integrator to perform the appropriate and complete risk analysis, evaluation and testing of the products with respect to the relevant specific application or use thereof. Neither Schneider Electric Industries SAS nor any of its affiliates or subsidiaries shall be responsible or liable for misuse of the information contained herein.