



CIRCUIT BREAKER 230/400V 6KA, 1POLE, C, 0.5A

Similar to image

**Technical data:**

<b>mounting position</b>		any
<b>Height</b>	mm	90
<b>Width</b>	mm	18
<b>Depth</b>	mm	76
<b>Mounting depth</b>	mm	70
<b>Current / for AC / rated value</b>	A	0.5
<b>Tripping characteristic class</b>		C
<b>Supply voltage</b>		
• for AC / rated value	V	400
• with single-phase operation / with AC / rated value	V	230
• with multi-phase operation / with AC / rated value	V	400
<b>Supply voltage frequency / rated value</b>	Hz	50
<b>Operating voltage</b>		
• minimum	V	24
• with single-phase operation / with AC / maximum	V	250
• with multi-phase operation / with AC / maximum	V	440
• for DC / rated value / maximum	V	60
<b>Number of poles</b>		1

<b>Number of poles /note</b>		1P
<b>Switching capacity current</b>		
• in accordance with IEC 60947-2 / rated value	kA	6
• acc. to EN 60898 / rated value	kA	6
<b>Active power loss / at rated value current / with AC / in warm operating state / per pole</b>	W	0.9
<b>Number of pitch units for width</b>		1
<b>Product feature / sealable</b>		Yes
<b>Protection class IP</b>		IP20, with connected conductors
<b>Degree of pollution</b>		2
<b>Influence of the surrounding temperature</b>		Periodically +55°C, max. 95% humidity
<b>Ambient temperature</b>	°C	-25 ... +45
<b>Ambient temperature / during storage</b>	°C	-40 ... +75
<b>Mechanical operating cycles as operating time / typical</b>		20,000
<b>Product equipment / touch-protection</b>		Yes
<b>type of voltage</b>		AC/DC
<b>Insulation voltage</b>		
• with single-phase operation / with AC / rated value	V	440
• with multi-phase operation / with AC / rated value	V	440
<b>Conductor cross-section that can be connected</b>		
• solid	mm <sup>2</sup>	0.75 ... 35
• multibrin	mm <sup>2</sup>	0.75 ... 35
• finely stranded		
• with wire end processing	mm <sup>2</sup>	0.75 ... 25
<b>Tightening torque</b>		
• with screw-type terminals	N·m	2.5 ... 3
<b>Product feature</b>		
• [not supplied - silicon-free]		Yes
• halogen-free		Yes
<b>Number of test cycles / for environmental testing / in accordance with IEC 60068-2-30</b>		6
<b>Item designation / according to DIN EN 61346-2</b>		F
<b>Device tag / according to DIN EN 81346-2</b>		F

Certificates/approvals:



[other](#)



other

[other](#)

Further information:

Information- and Downloadcenter (Catalogs, Brochures,...)

<http://www.siemens.com/lowvoltage/catalogs>

Industry Mall (Online ordering system)

<http://www.siemens.com/lowvoltage/mall>

Service&Support (Manuals, Certificates, Characteristics, FAQs,...)

<http://support.automation.siemens.com/WW/view/en/5SL6105-7/all>

Image database (product images, 2D dimension drawings, 3D models, device circuit diagrams, ...)

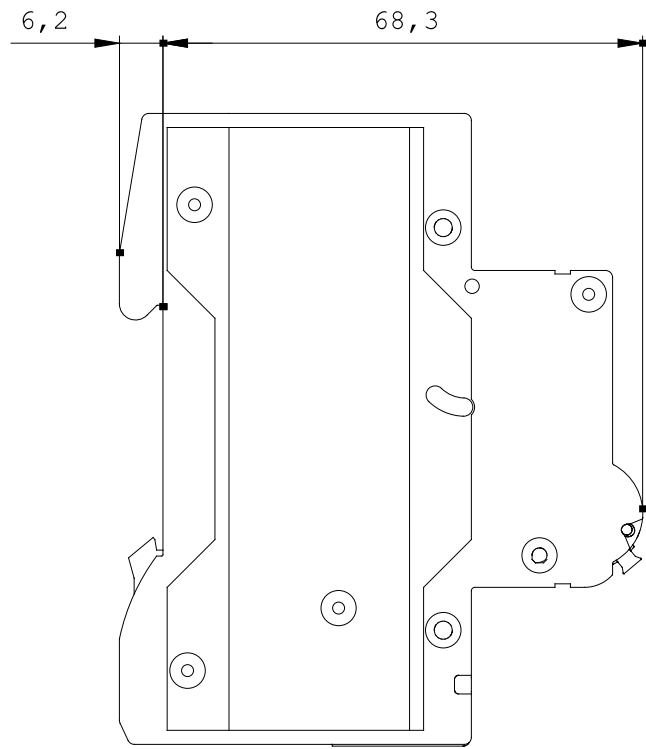
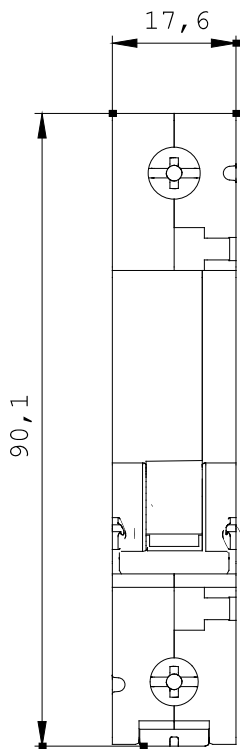
[http://www.automation.siemens.com/bilddb/cax\\_en.aspx?mlfb=5SL6105-7](http://www.automation.siemens.com/bilddb/cax_en.aspx?mlfb=5SL6105-7)

CAX-Online-Generator

<http://www.siemens.com/cax>

Tender specifications

[Datanorm GAEB81 GAEB83 RTF TXT](#)



last change:

Feb 18, 2013